



OILGEAR

A SUBSEA HYDRAULICS COMPANY

Summer 2016 - Rev A

The Oilgear Company

Oilgear is a niche hydraulic products company which focuses on high-technology pumps, valves, and control systems.

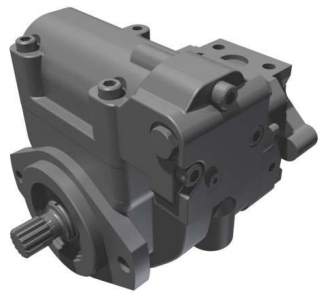
- Founded in Wisconsin, USA in 1921
- Over 350 employees, **100 engineers**
- Manufacturing in Traverse City, Michigan; Leeds, England; San Sebastian, Spain; Fremont, Nebraska
- Customers include:



OILGEAR

Range of Products and Services

Oilgear's products lines are primarily focused on low-viscosity control fluids, at pressures from 75 to 1000 Bar.

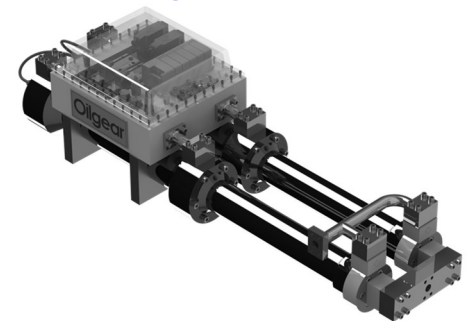


Oilgear pumps and intensifiers

- Variable and fixed displacements
- Up to 975 LPM
- Up to 1000 Bar
- Excellent on Pelagic™, Oceanic™, Stack Magic™, Erifon™, etc.

Oilgear manifolds and hydro-electric systems

- ROV control systems
- Precision pumping systems
- Chemical injection and slurry pumping
- Custom-engineered manifolds



Oilgear control valves

- Regulators, SPMs, DCVs and logic elements
- Custom developed and tested
- Aerospace-grade reliability
- Up to 1000 Bar

Oilgear analysis and testing

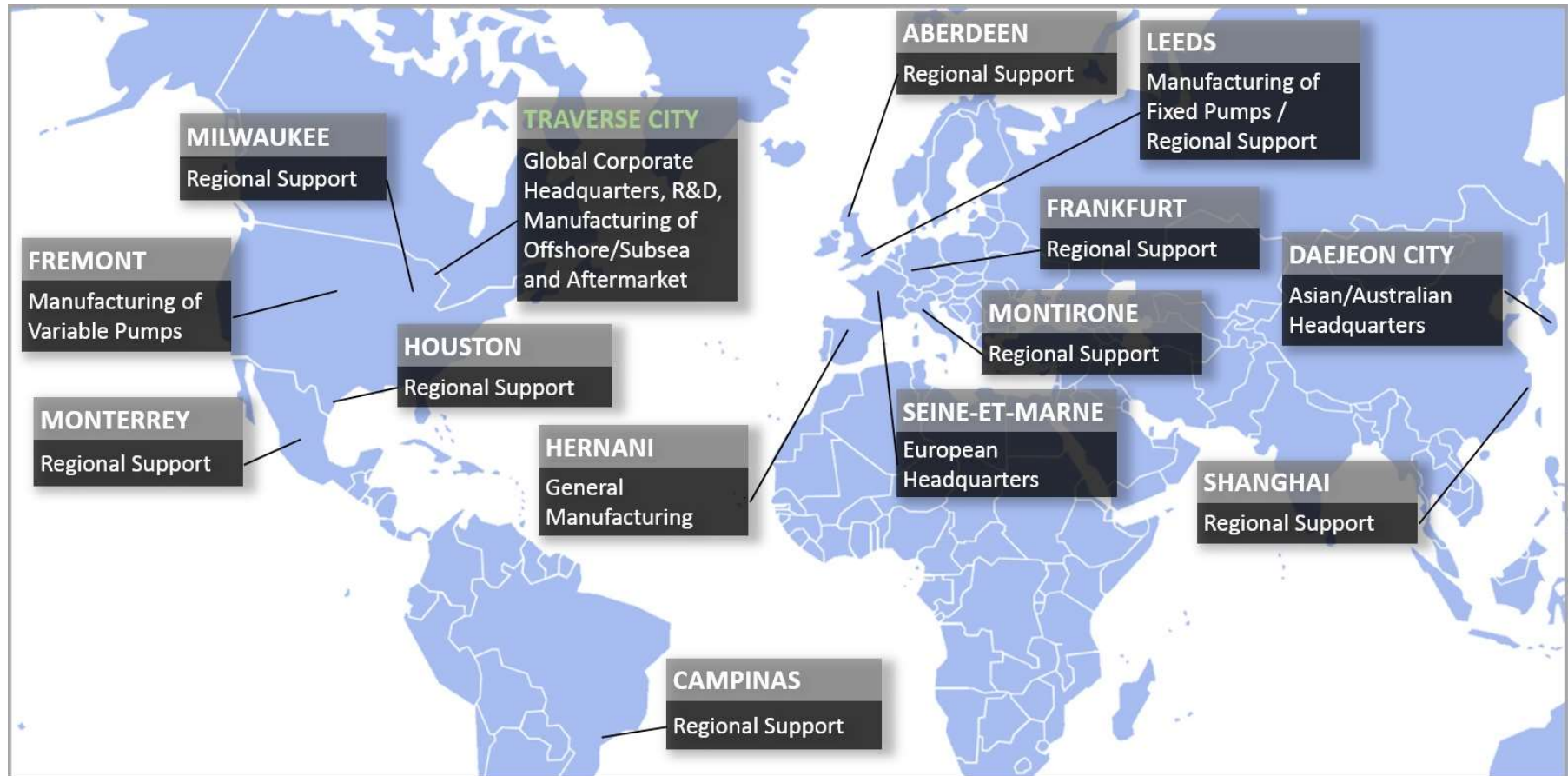
- System dynamic simulation using SimulationX
- Computational fluid dynamics analysis
- High-flow and fatigue cycle testing



OILGEAR

Global Locations

Oilgear has fourteen locations across the globe.



Oilgear Facilities

World-class facilities for engineering, sales, manufacturing, testing, and product support.



- Oilgear just completed a \$10M investment in its pump manufacturing plant in Nebraska, USA
- Global product testing capability:
 - High velocity flow up to 70,000 LPM
 - Highly dynamic events
 - Component cycle and fatigue testing
 - 1/10000 second data acquisition
 - DNV/ABS/API Standards
 - Multi-fluid testing capability

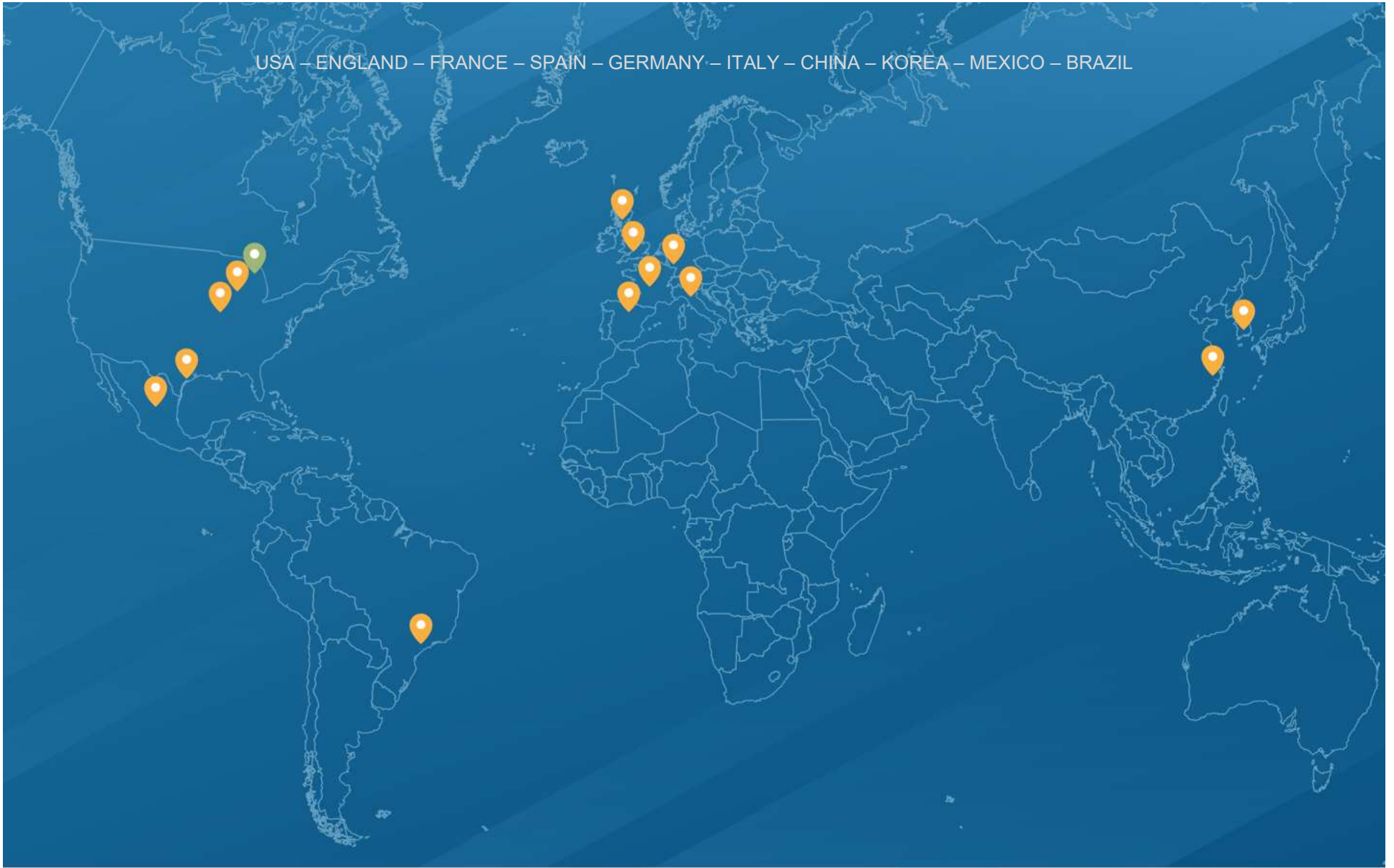


OILGEAR

Industry References

Customer	Project	Oilgear Scope of Supply
Sparrows Offshore	Offshore, Multi-Purpose HPU for Water-Based Fluids	Oilgear variable displacement pumps
Aker / MHWirth	Offshore, Managed Pressure Drilling	IECex-rated hydraulic power unit
Aker / MHWirth	Subsea, Managed Pressure Drilling	Emergency automatic shutdown valving
Cameron	Offshore, Drilling Rigs, Various	Oilgear/Olmsted motion compensation equipment
Chevron Phillips	Onshore, Processing, Cedar Bayou Plant	Oilgear/Petrodyne catalyst injection units
Diamond Offshore	Offshore, Drilling Rigs, Various	Oilgear/Olmsted motion compensation equipment
Ensco	Subsea, Drilling Rigs, BOP Control	Oilgear relief valves
Exxon	Onshore, Processing, Baton Rouge, LA Plant	Oilgear/Petrodyne vinyl acetate injection units
Sibur	Onshore, Production, Siberia LNG Pipeline	Oilgear transfer barrier pumping system for LNG
GE	Subsea, Mudlift System	Ultra-duty valves, component fatigue testing
GE	Subsea, BOP Controls	Diagnostics testing and analysis of SPM valves
GE	Subsea, Next-Generation BOP Controls	Development of regulator and SPM valves
ICON Engineering	Offshore, Drilling Rigs, Western Australia	Oilgear/Olmsted motion compensation equipment
Babcock	Marine, Military, Handling System within Submarine	Oilgear/Towler hydraulic control valves
NOV	Offshore, Drilling Rigs, Various	Oilgear/Olmsted motion compensation equipment
NOV	Offshore and Onshore, Drilling HPUs	Oilgear variable pumps
NOV	Offshore, Drilling Rigs, Various	Hydraulic power units
Oceaneering	Offshore, Topside Well Stimulation	CFD and hydraulic analysis
Oceaneering	Subsea, ROV API 53 Retrofit	Oilgear variable pumps
Oceaneering	Subsea, ROV API 53 Retrofit	Customer designed valves and manifolds
Utrov	Offshore, ROV Control System	Oilgear software and electronic controls
Imperial Oil	Onshore, Processing, Fort MacMurray, Canada Oil Sands	Oilgear hydraulics and electronic controls
Transocean	Offshore, Drilling Rigs, Various	Oilgear/Olmsted motion compensation equipment
Subsea7	Offshore, Marine, Winch System	Oilgear electronic and hydraulic control system upgrade

USA – ENGLAND – FRANCE – SPAIN – GERMANY – ITALY – CHINA – KOREA – MEXICO – BRAZIL



THANK YOU

CORPORATE HEADQUARTERS
Traverse City, Michigan
United States
+001 231 929 1660

OILGEAR-UK
Leeds, Yorkshire
England
+44 113 394 7300

OILGEAR-CHINA
Shanghai
China
+86 21 68782366