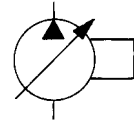


PVV-200 or 250

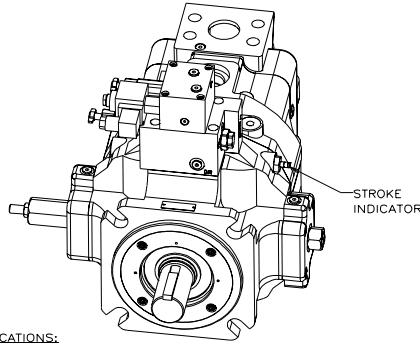
"P-2--" or "P-D--" CONTROLS



Installation Drawing

Dual Pressure Compensator Controls

PVV-200/250-BIB PUMP (SHOWN)
 PVV-200/250-B1A PUMP
 WITH P-2_ CONTROL (SHOWN)
 AND P-D_ CONTROL



NOTES:

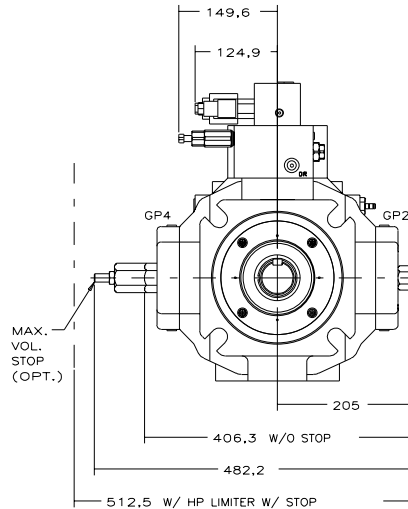
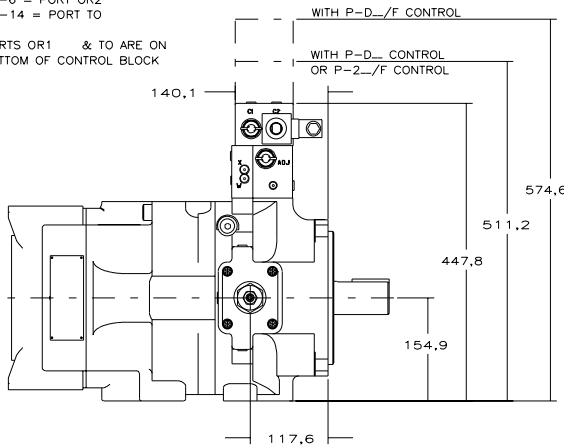
1. PUMPS DESIGNED FOR ONE-WAY SERVICE ARE DIMENSIONED AS SHOWN.
2. THESE UNITS ARE DESIGNED TO RUN CASE FULL OF FLUID AT ALL TIMES. FILL CASE BEFORE STARTING AND CONNECT DRAIN LINES ACCORDINGLY.
3. NUMERICAL DIMENSIONS ARE GIVEN IN MILLIMETERS.
4. NET WEIGHT; P-2_ CONTROL
 184 KG SIDE PORTED (SHOWN)
 172 KG REAR PORTED
 P-D_ CONTROL
 188 KG SIDE PORTED
 177 KG REAR PORTED

 W/ HP LIMITER ADD 9 KG
 W/ LOAD SENSE ADD 4.5 KG
5. FOR BASIC PUMP DIMENSIONS SEE: DS-M47939
6. LEFTHAND (CCW) VERSION IS SHOWN. FOR RIGHTHAND (CW) VERSION, THE CONTROL CAPS AND VOLUME STOPS WILL BE ON THE OPPOSITE SIDES, ASSUMING THAT THE OUTLET IS ON THE TOP.

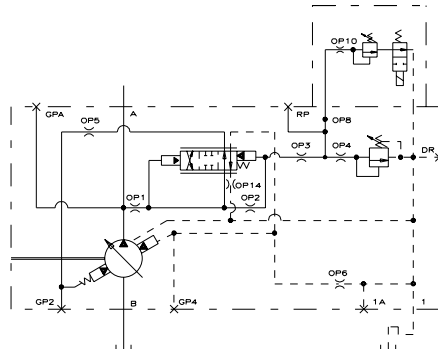
ORIFICE LOCATIONS:

- OP-1 & OP-2 = PORT OR1
- OP-3 & OP-4 = IN 4-WAY VALVE
- OP-5 = PORT BO
- OP-6 = PORT OR2
- OP-14 = PORT TO

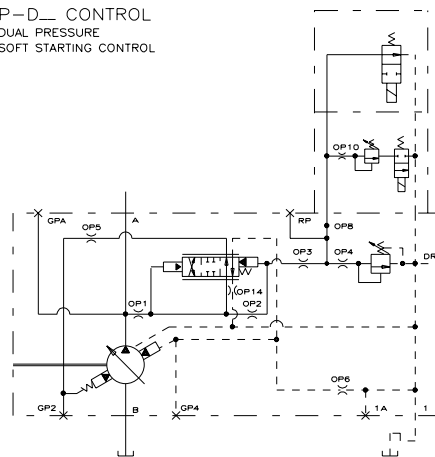
PORTS OR1 & TO ARE ON BOTTOM OF CONTROL BLOCK



P-2_ CONTROL
 DUAL PRESSURE COMPENSATOR CONTROL



P-D_ CONTROL
 DUAL PRESSURE
 SOFT STARTING CONTROL



519 103-306 SH 5 OPT 11