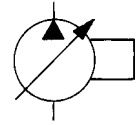




**PUMP, VARIABLE DELIVERY  
PVV-540 "B1"  
with  
"P-1NNF" or "P-C-/F" CONTROL**

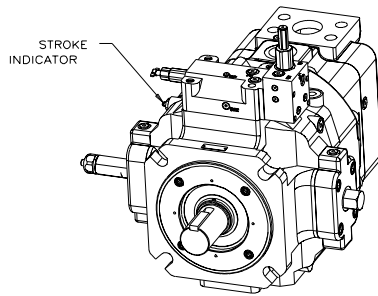
**ENGINEERING**

**1**



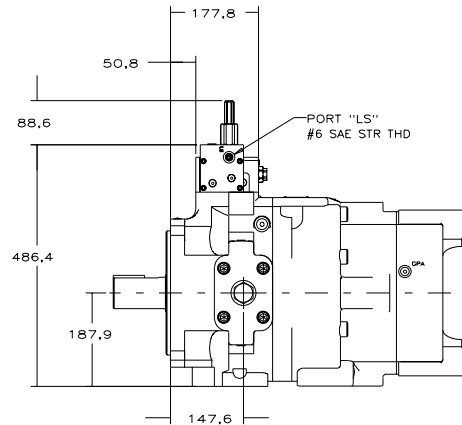
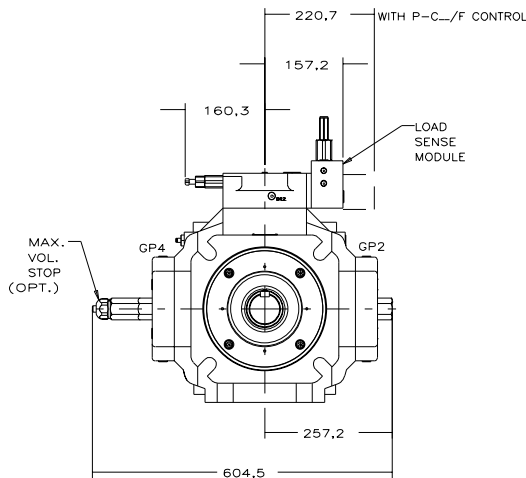
**Installation Drawing Single Pressure Compensator or Soft Start Control w/Load Sense**

PV-540-BIB PUMP  
WITH P-1NN/F CONTROL (SHOWN)  
AND P-C-/F CONTROL

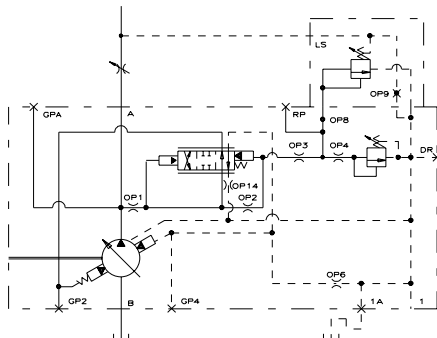


**NOTES:**

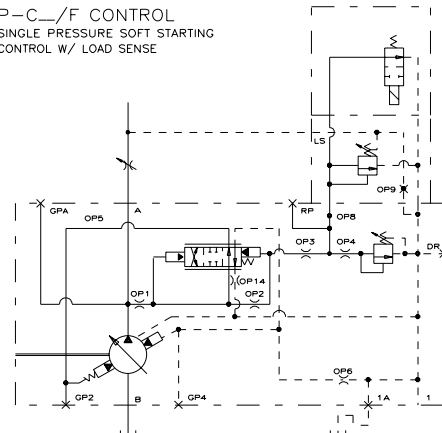
1. PUMPS DESIGNED FOR ONE-WAY SERVICE ARE DIMENSIONED AS SHOWN.
2. THESE UNITS ARE DESIGNED TO RUN CASE FULL OF FLUID AT ALL TIMES. FILL CASE BEFORE STARTING AND CONNECT DRAIN LINES ACCORDINGLY.
3. NUMERICAL DIMENSIONS ARE GIVEN IN MILLIMETERS.
4. NET WEIGHT: P-1NN/F CONTROL  
372 KG SIDE PORTED (SHOWN)  
347 KG REAR PORTED  
P-C-/F CONTROL  
377 KG SIDE PORTED  
352 KG REAR PORTED
5. FOR BASIC PUMP DIMENSIONS SEE:  
DS-M47940A
6. LEFTHAND (CCW) VERSION IS SHOWN. FOR RIGHTHAND (CW) VERSION, THE CONTROL CAPS, VOLUME STOPS, AND STROKE INDICATOR WILL BE ON THE OPPOSITE SIDES, ASSUMING THAT THE OUTLET IS ON THE TOP.



**P-1NN/F CONTROL**  
SINGLE PRESSURE COMPENSATOR CONTROL  
W/ LOAD SENSE



**P-C-/F CONTROL**  
SINGLE PRESSURE SOFT STARTING  
CONTROL W/ LOAD SENSE



519256-306 sh. 2

Telephone: (414) 327-1700  
Fax: (414) 327-0532

**OILGEAR**  
2300 So. 51st. Street  
Milwaukee, WI USA 53219

Issued: Oct., 2002  
**DS-M47558**