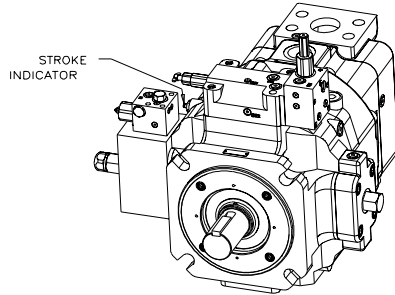


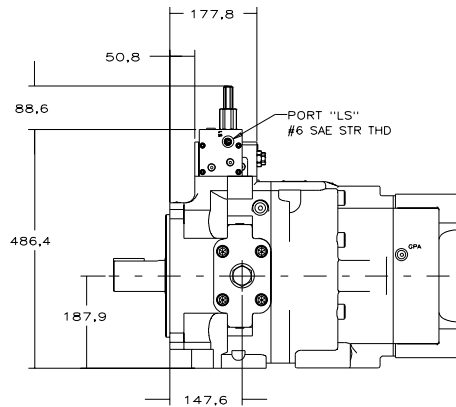
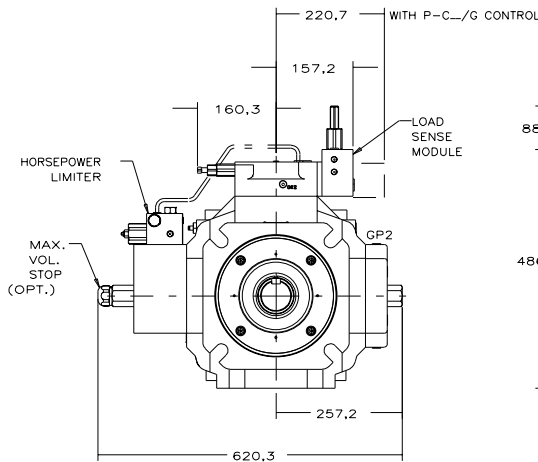
Installation Drawing Single Pressure or Soft Start w/H.P. Limit & Load Sense Control

PVV-540-BIB PUMP
WITH P-1NN/G CONTROL (SHOWN)
AND P-C-/G CONTROL

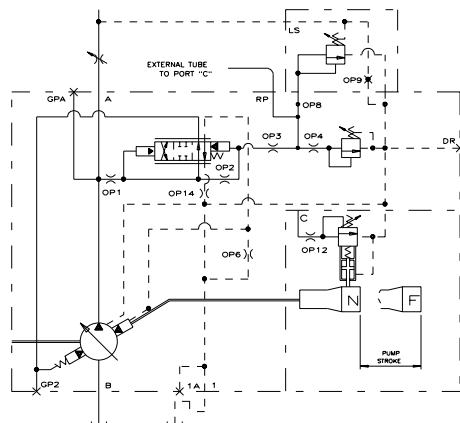


NOTES:

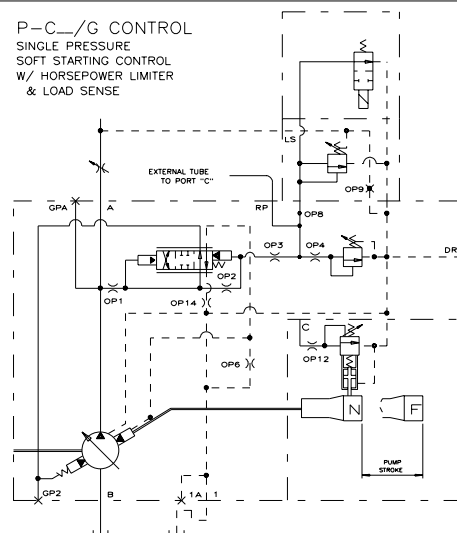
1. PUMPS DESIGNED FOR ONE-WAY SERVICE ARE DIMENSIONED AS SHOWN.
2. THESE UNITS ARE DESIGNED TO RUN CASE FULL OF FLUID AT ALL TIMES. FILL CASE BEFORE STARTING AND CONNECT DRAIN LINES ACCORDINGLY.
3. NUMERICAL DIMENSIONS ARE GIVEN IN MILLIMETERS.
4. NET WEIGHT: P-1NN/G CONTROL
383 KG SIDE PORTED (SHOWN)
358 KG REAR PORTED
P-C-/G CONTROL
388 KG SIDE PORTED
363 KG REAR PORTED
5. FOR BASIC PUMP DIMENSIONS SEE: DS-M47940A
6. LEFTHAND (CCW) VERSION IS SHOWN. FOR RIGHTHAND (CW) VERSION, THE CONTROL CAPS, VOLUME STOPS, AND STROKE INDICATOR WILL BE ON THE OPPOSITE SIDES, ASSUMING THAT THE OUTLET IS ON THE TOP.
7. FOR HP CONTROLS, "RP" ON THE CONTROL BLOCK IS CONNECTED TO "C" ON THE HP MODULE WITH AN EXTERNAL TUBE.



P-1NN/G CONTROL
SINGLE PRESSURE COMPENSATOR CONTROL
W/ HORSEPOWER LIMITER & LOAD SENSE



P-C-/G CONTROL
SINGLE PRESSURE
SOFT STARTING CONTROL
W/ HORSEPOWER LIMITER
& LOAD SENSE



519256-306 sh. 4