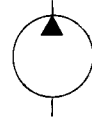




**PUMP, VARIABLE DELIVERY  
PVV-540 "B1"  
with  
"F" CONTROL**

ENGINEERING

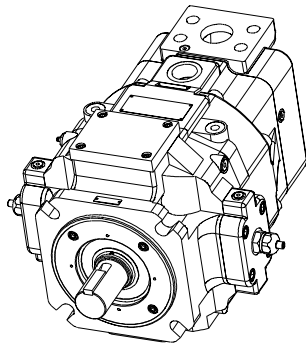
1



Installation Drawing

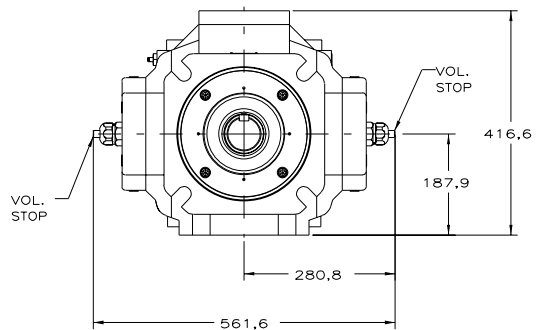
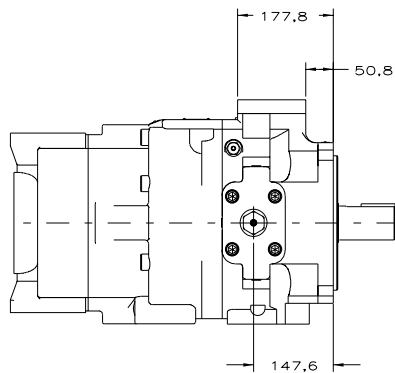
(Screw Adjustable) Fixed Control

PVV-540-B1B PUMP  
WITH F-CONTROL

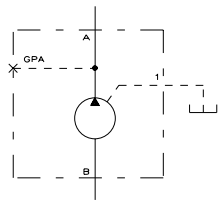


NOTES:

1. PUMPS DESIGNED FOR ONE-WAY SERVICE ARE DIMENSIONED AS SHOWN.
2. THESE UNITS ARE DESIGNED TO RUN CASE FULL OF FLUID AT ALL TIMES. FILL CASE BEFORE STARTING AND CONNECT DRAIN LINES ACCORDINGLY.
3. NUMERICAL DIMENSIONS ARE GIVEN IN MILLIMETERS.
4. NET WEIGHT- 362 KG SIDE PORTED (SHOWN)  
338 KG REAR PORTED
5. FOR BASIC PUMP DIMENSIONS SEE:  
DS-M47940A



519256-305



Telephone: (414) 327-1700  
Fax: (414) 327-0532

**OILGEAR**  
2300 So. 51st. Street  
Milwaukee, WI USA 53219

Issued: Oct., 2002  
**DS-M47168**