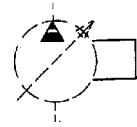
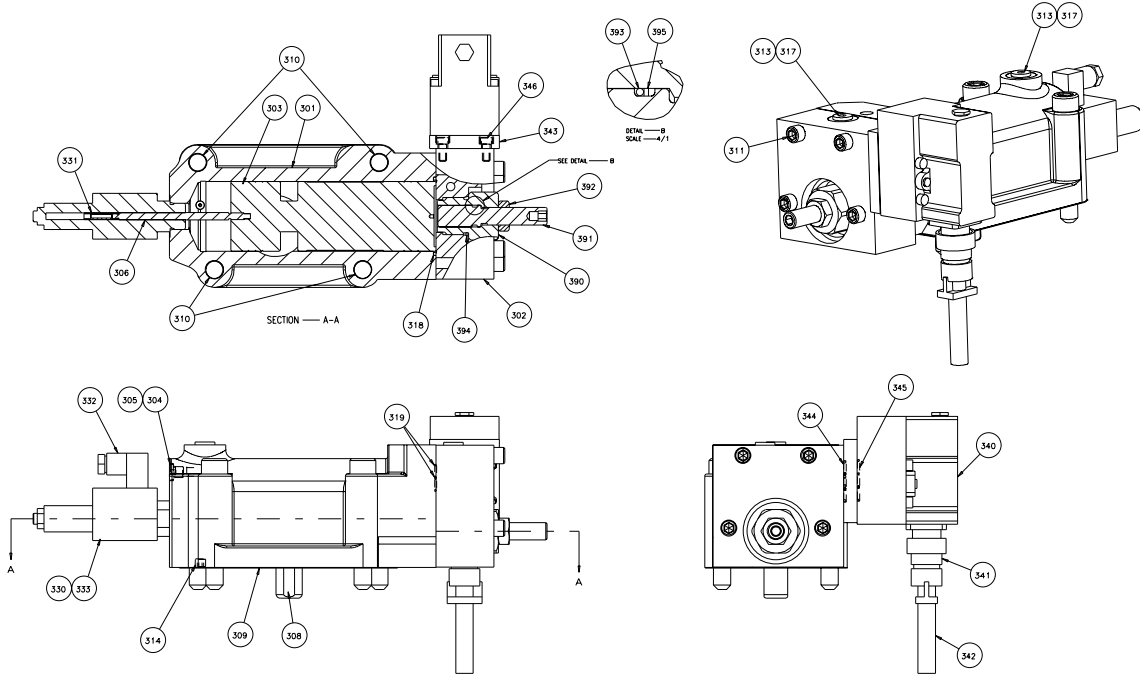


"V-S" CONTROL



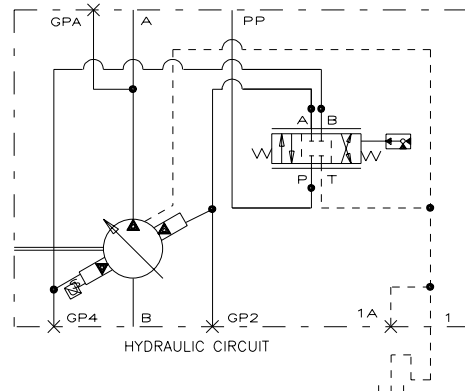
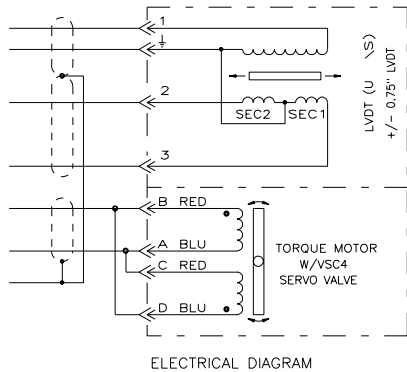
Parts Drawing

Electrohydraulic Servo Valve Without Amplifier



CAUTION

- 1) ITEM 314 TO BE FLUSH OR BELOW SURFACE "AFTER TORQUE VALUE IS REACHED."
- 2) ITEM 314 MUST NOT PROTRUDE INTO THE PISTON BORE.



516658-003 sh. 1



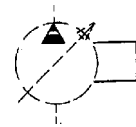
PUMP, VARIABLE DELIVERY

PVG 100 & 130

MAINTENANCE

2

"V-S" CONTROL



Parts List

Electrohydraulic Servo Valve Without Amplifier

Parts used in this assembly are per Oilgear specifications. Use Oilgear parts to ensure compatibility with assembly requirements. When ordering replacement parts, be sure to include pump type designation, serial number, Data Sheet (DS) number and item number. To assure seal and packing compatibility, specify type of hydraulic fluid used.

ITEM NO	DESCRIPTION	APR 568 UNIFORM, SIZE NUMBERS FOR O'RING (w/DUROMETER) AND BACK-UP RING	
		ITEM NO.	PUMP SIZE
301	Housing, Control		
302	Cap, End		
303	Piston, Control		
304	Plug, SAE		
305	Seal, O'ring	305	902 - 90
306	Stem, LVDT	317	904 - 90
308	Pin, Control	318	137 - 90
309	Gasket, Control	319	011 - 90
310	Screw, S.H.C.	344	904 - 90
311	Screw, S.H.C.	345	011 - 90
313	Plug, SAE	393	014 - 90
314	Plug, Pressure	394	912 - 90
317	Seal, O'ring	395	014
318	Seal, O'ring		
319	Seal, O'ring		
330	L.V.D.T		
* 331	L.V.D.T., Core		
* 332	L.V.D.T., Connector		
* 333	Seal, O'ring		
340	Servo, Valve		
** 341	Connector, Servo Valve		
** 342	Clamp, Boot Servo Valve		
** 343	Plate, Adapter		
** 344	Seal, O'ring		
** 345	Seal, O'ring		
** 346	Screw, SHC		
390	Bonnet, Min. Volume		
391	Stem, Min. Volume		
392	Nut, Jam		
393	Seal, O'ring		
394	Seal, O'ring		
395	Ring, Back-up		

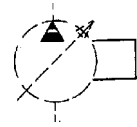
Torque Installation

Item	Torque
304	45 in. - lb.
310	100 ft. - lb.
311	30 ft. - lb.
313	120 in. - lb.
314	48 in. - lb.
330	See Note
340	57 in. - lb.
346	57 in. - lb.
390	85 ft. - lb.

* ITEMS 331, 332 and 333 ARE SUPPLIED WITH ITEM 330 OR CAN BE PURCHASED SEPARATELY AS REPLACEMENT ITEMS

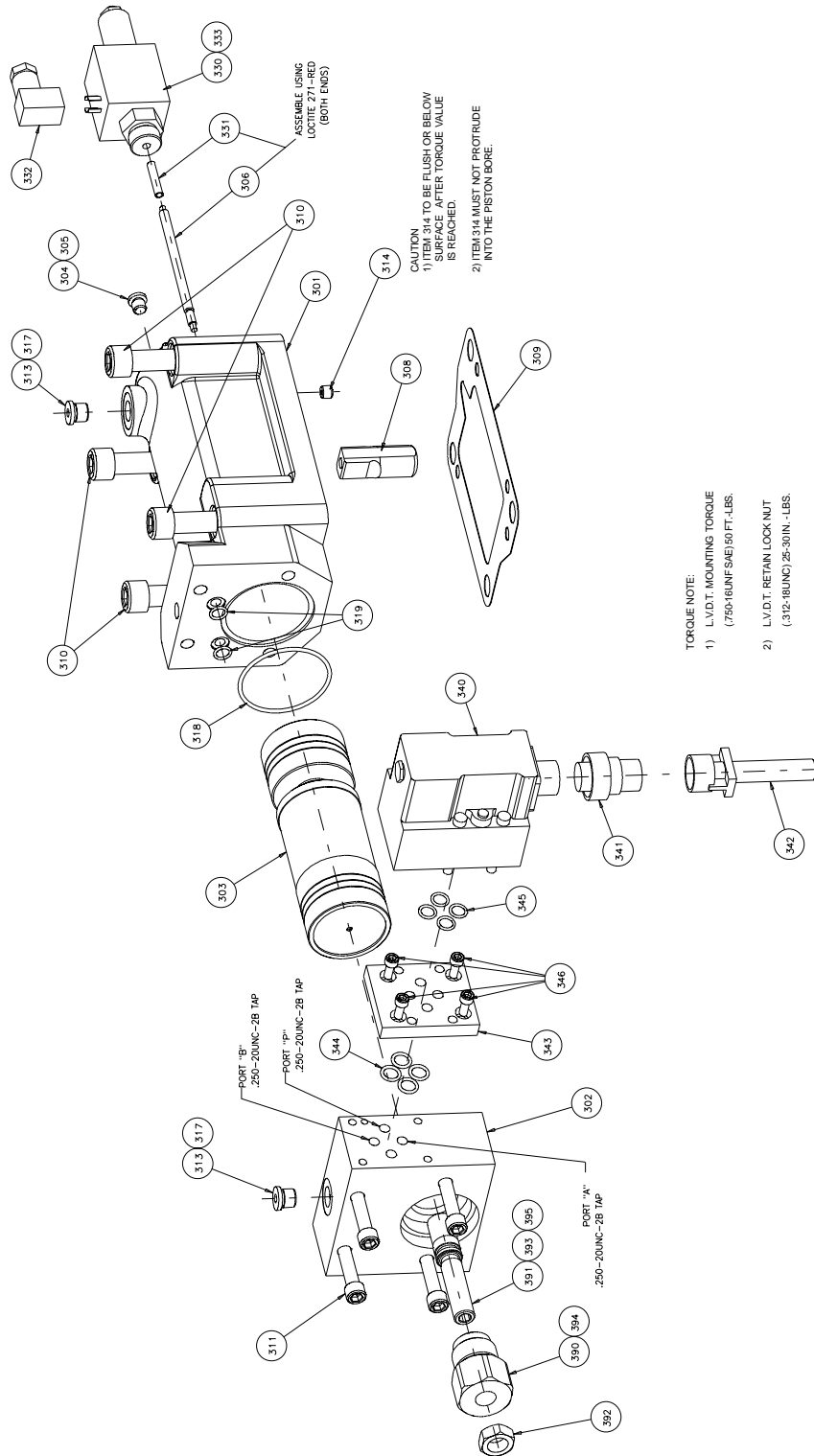
** ITEMS 341 thru 346 ARE SUPPLIED WITH ITEM 340 OR

"V-S" CONTROL



Parts Drawing

Electrohydraulic Servo Valve Without Amplifier



516658-003 sh. 2