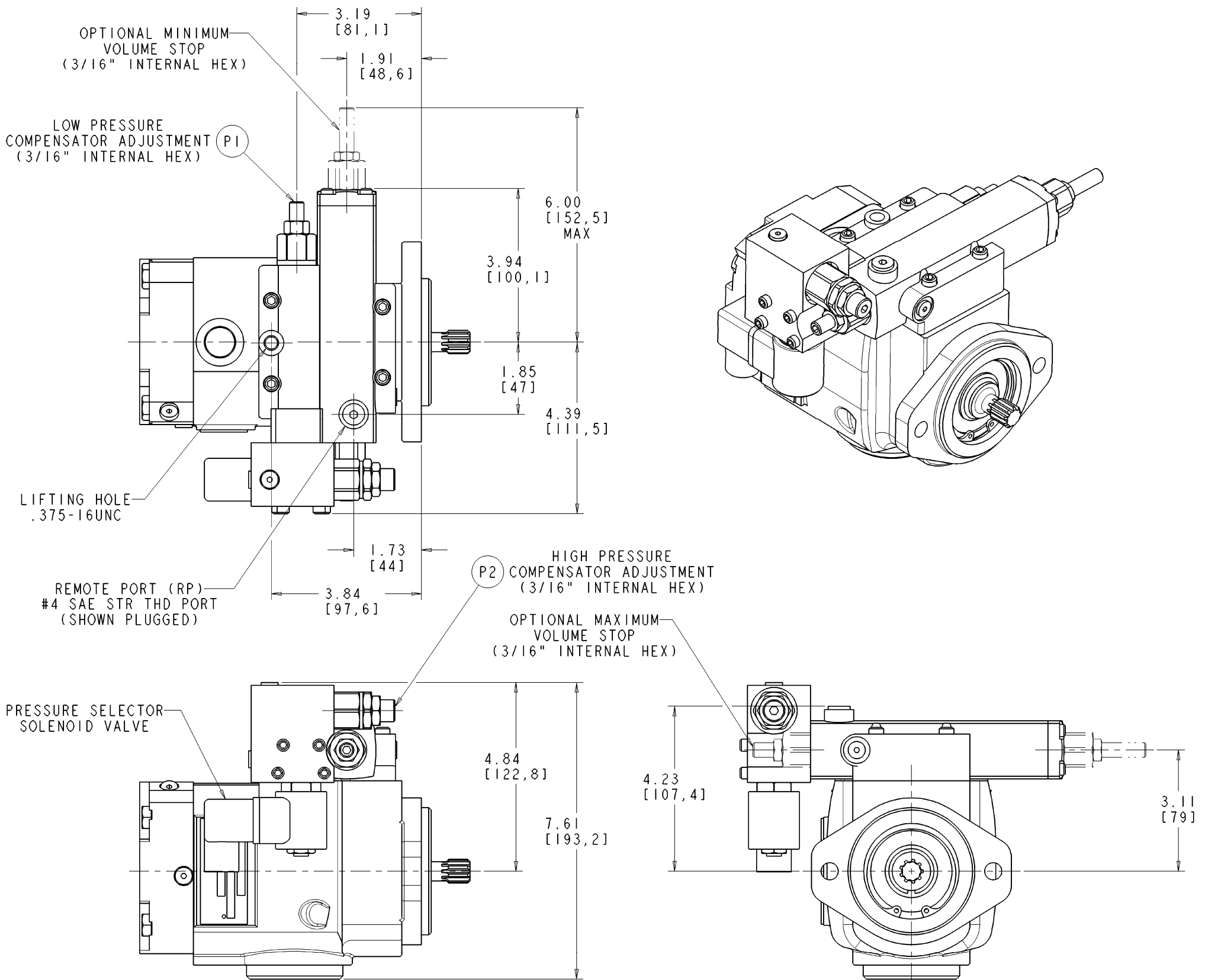
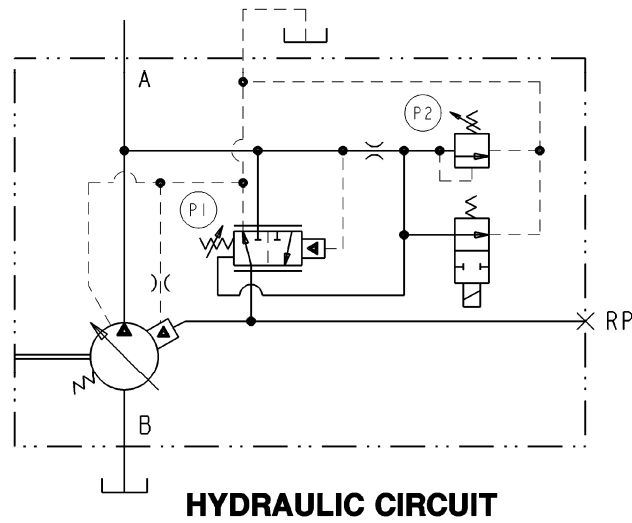


Installation Drawing

Dual Pressure Compensator Control (A Frame)



FOR BASIC PUMP DIMENSIONS SEE PLANOGRAPHS:
DS-47480, DS-47481, DS-47482

520012-106

Telephone: (414) 327-1700
Fax: (414) 327-0532

OILGEAR
2300 So. 51st Street
Milwaukee, WI USA 53219

Issued: June, 2009
DS-48105