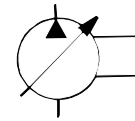
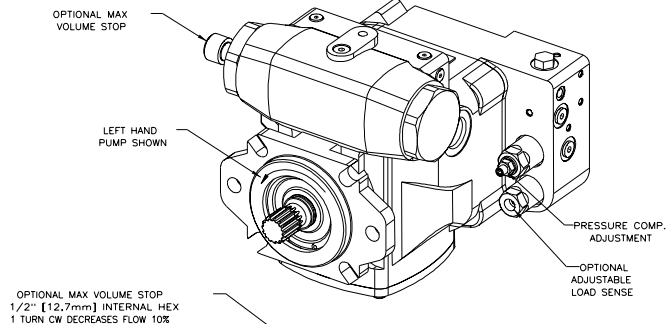
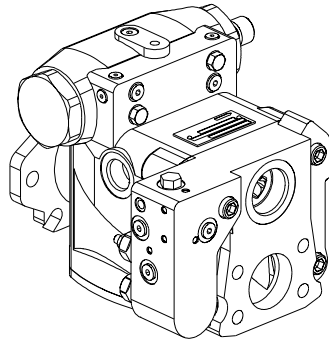


"B" FRAME

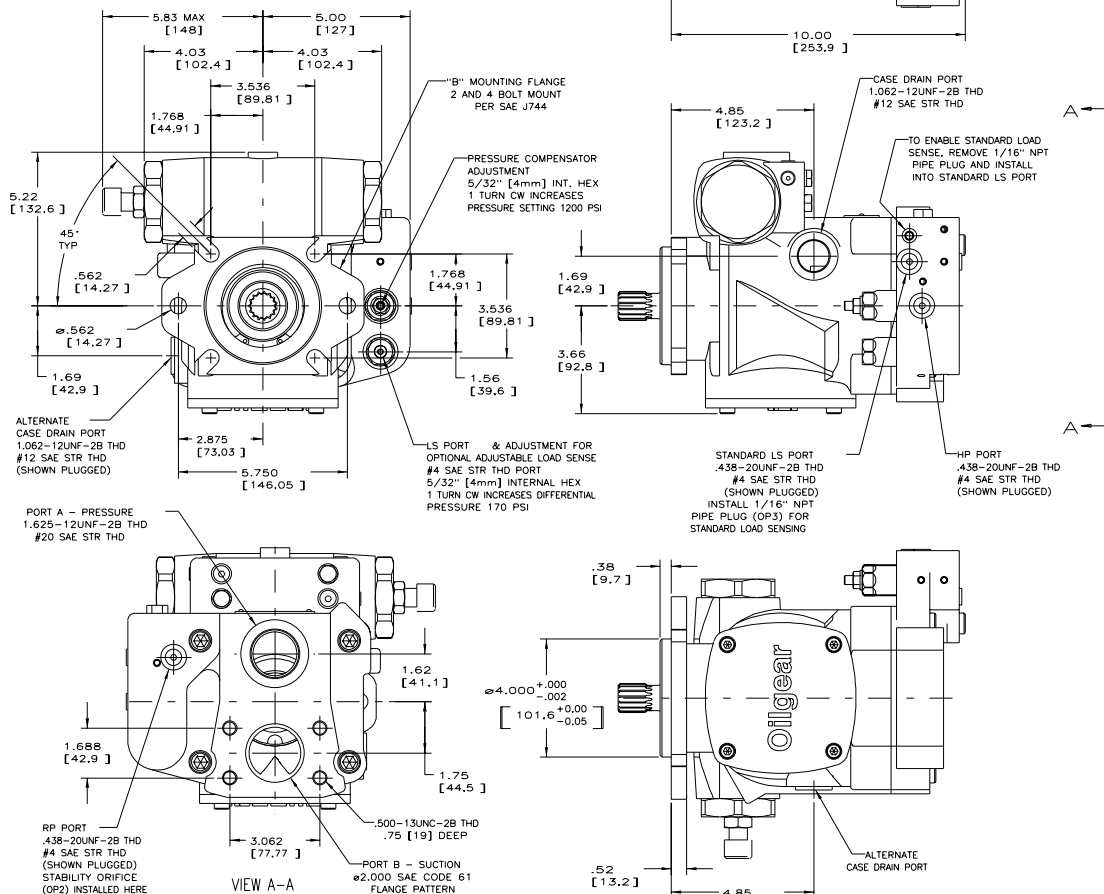


Installation Drawing Rear Ported, SAE Pressure & Flanged Suction



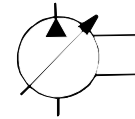
GENERAL NOTES:

- 1) PUMPS ARE DESIGNED FOR ONE-WAY SERVICE
- 2) THESE UNITS ARE DESIGNED TO RUN WITH CASE FULL OF FLUID AT ALL TIMES. FILL CASE BEFORE STARTING AND CONNECT DRAIN LINES ACCORDINGLY.
- 3) NUMERICAL DIMENSIONS GIVEN IN INCHES/[mm].
- 4) TOTAL WEIGHT = 75 LBS [34 KG]



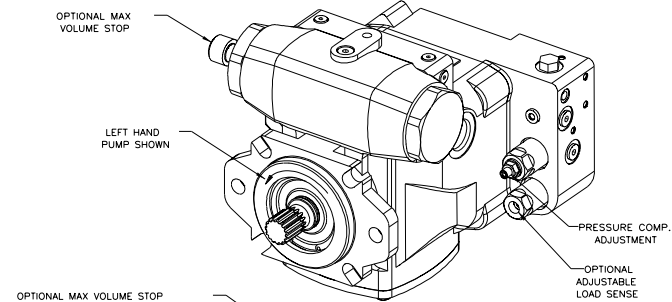
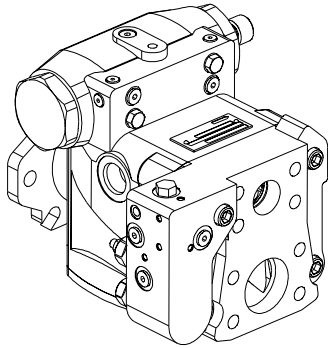
NOTE: DIMENSIONS SHOWN IN [] ARE IN MILLIMETERS

"B" FRAME



Inatallation Drawing

Rear Ported, Flanged Pressure & Suction



OPTIONAL MAX VOLUME STOP
1/2" [12,7mm] INTERNAL HEX
1 TURN CW DECREASES FLOW 10%

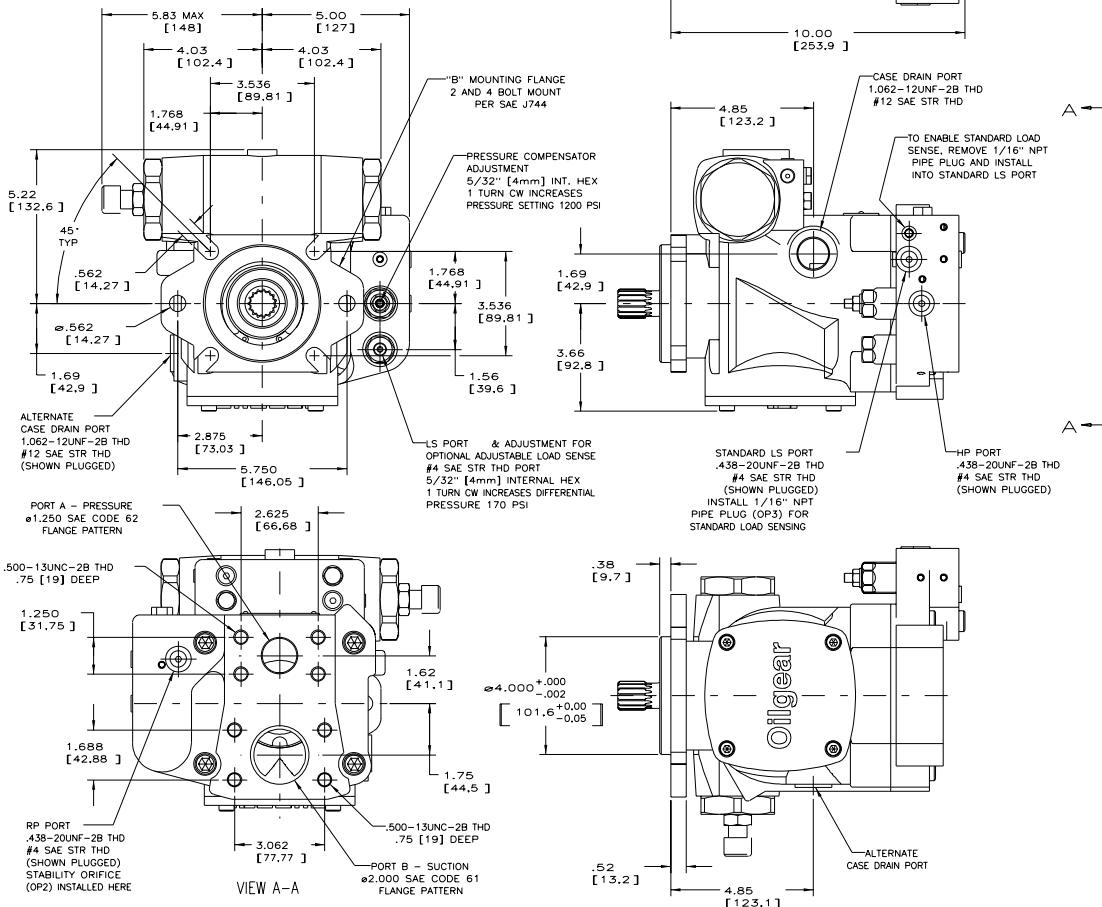
LIFTING LUG HOLE
M8 X 16mm DEEP

SHAFT OPTIONS
SHOWN ON SHEET 7

PURGE PORT

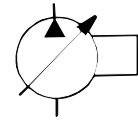
GENERAL NOTES:

- 1) PUMPS ARE DESIGNED FOR ONE-WAY SERVICE
- 2) THESE UNITS ARE DESIGNED TO RUN WITH CASE FULL OF FLUID AT ALL TIMES. FILL CASE BEFORE STARTING AND CONNECT DRAIN LINES ACCORDINGLY.
- 3) NUMERICAL DIMENSIONS GIVEN IN INCHES/[mm].
- 4) TOTAL WEIGHT = 75 LBS [34 KG]

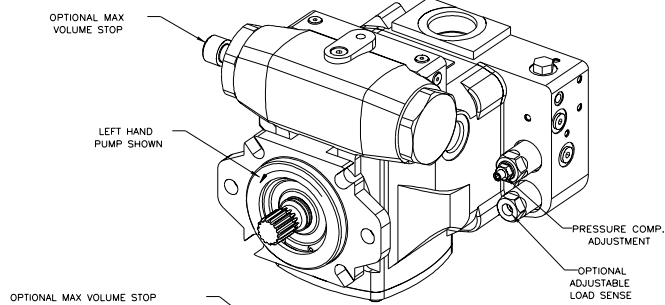
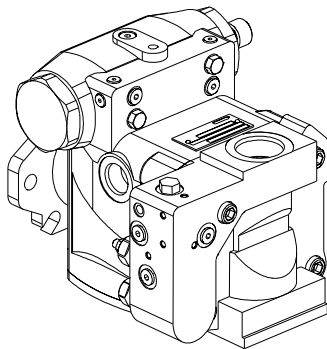


NOTE: DIMENSIONS SHOWN IN [] ARE IN MILLIMETERS

"B" FRAME



Installation Drawing Side Ported, SAE Pressure & Flanged Suction



OPTIONAL MAX VOLUME STOP
1/2" [12.7mm] INTERNAL HEX
1 TURN CW DECREASES FLOW 10%

LIFTING LUG HOLE
M8 X 16mm DEEP

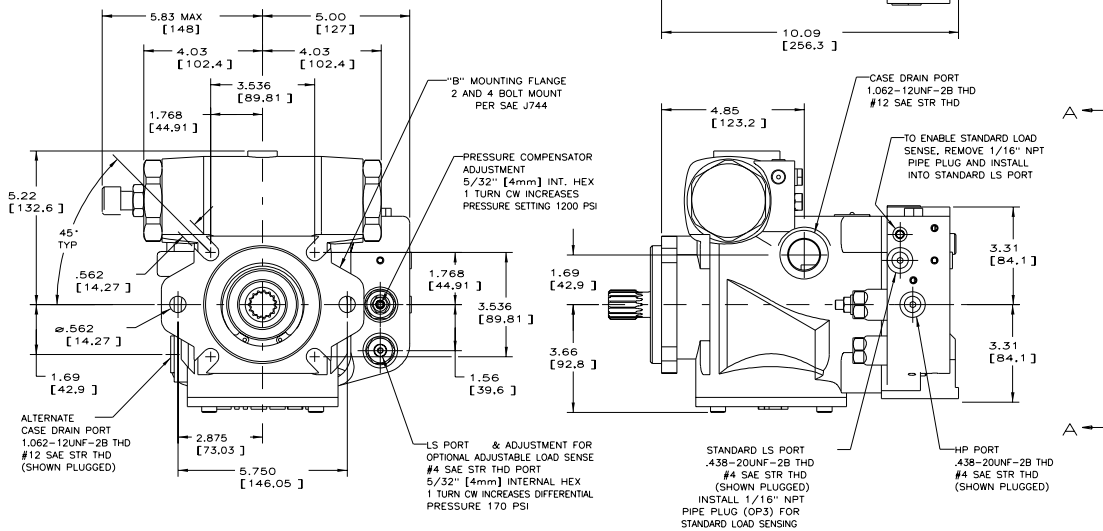
PORT A - PRESSURE
1.062-12UNF-2B THD
#20 SAE STR THD

GENERAL NOTES:

- 1) PUMPS ARE DESIGNED FOR ONE-WAY SERVICE
- 2) THESE UNITS ARE DESIGNED TO RUN WITH CASE FULL OF FLUID AT ALL TIMES. FILL CASE BEFORE STARTING AND CONNECT DRAIN LINES ACCORDINGLY.
- 3) NUMERICAL DIMENSIONS GIVEN IN INCHES/[mm].
- 4) TOTAL WEIGHT = 75 LBS [34 KG]

SHAFT OPTIONS
SHOWN ON SHEET 7

PURGE PORT



ALTERNATE CASE DRAIN PORT
1.062-12UNF-2B THD
#12 SAE STR THD
(SHOWN PLUGGED)

LS PORT & ADJUSTMENT FOR
OPTIONAL ADJUSTABLE LOAD SENSE
#4 SAE STR THD PORT
5/32" [4mm] INTERNAL HEX
1 TURN CW INCREASES DIFFERENTIAL
PRESSURE 170 PSI

"B" MOUNTING FLANGE
2 AND 4 BOLT MOUNT
PER SAE J744

PRESSURE COMPENSATOR
ADJUSTMENT
5/32" [4mm] INT. HEX
1 TURN CW INCREASES
PRESSURE SETTING 1200 PSI

CASE DRAIN PORT
1.062-12UNF-2B THD
#12 SAE STR THD

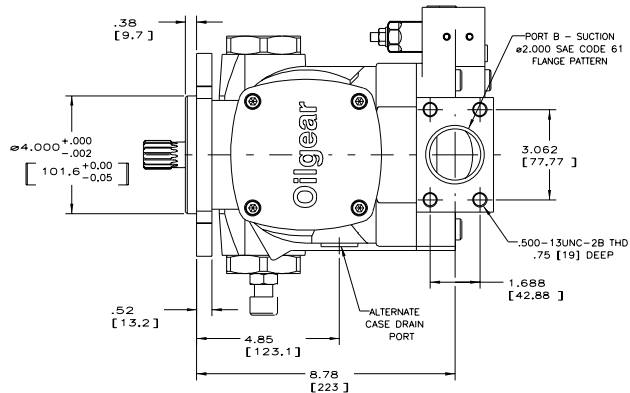
TO ENABLE STANDARD LOAD
SENSE, REMOVE 1/16" NPT
PIPE PLUG AND INSTALL
INTO STANDARD LS PORT

STANDARD LS PORT
.438-20UNF-2B THD
#4 SAE STR THD
(SHOWN PLUGGED)
INSTALL 1/16" NPT
PIPE PLUG (OP3) FOR
STANDARD LOAD SENSING

HP PORT
.438-20UNF-2B THD
#4 SAE STR THD
(SHOWN PLUGGED)

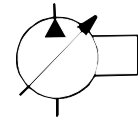
RP PORT
.438-20UNF-2B THD
#4 SAE STR THD
(SHOWN PLUGGED)
STABILITY ORIFICE
(OP2) INSTALLED HERE

VIEW A-A



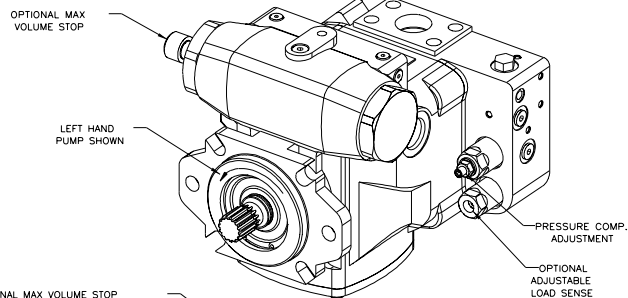
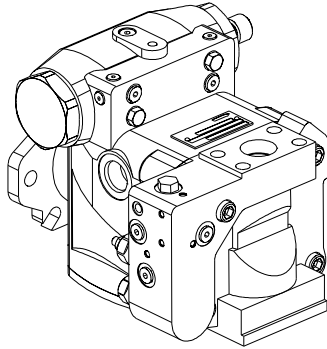
NOTE: DIMENSIONS SHOWN IN [] ARE IN MILLIMETERS

"B" FRAME



Installation Drawing

Side Ported, Flanged Pressure & Suction



OPTIONAL MAX VOLUME STOP
1/2" [12.7mm] INTERNAL HEX
1 TURN CW DECREASES FLOW 10%

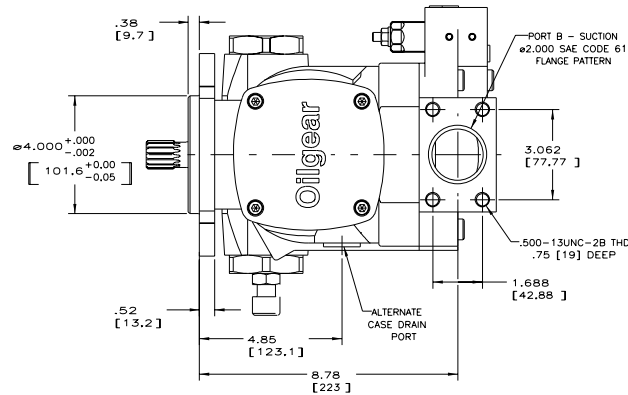
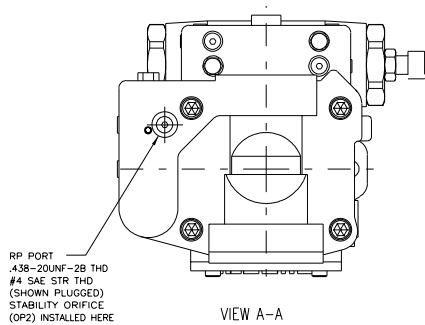
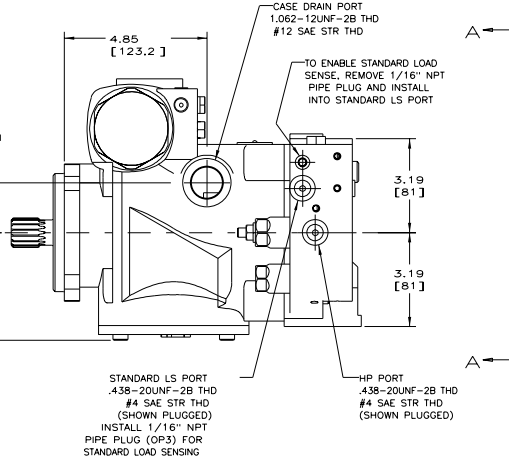
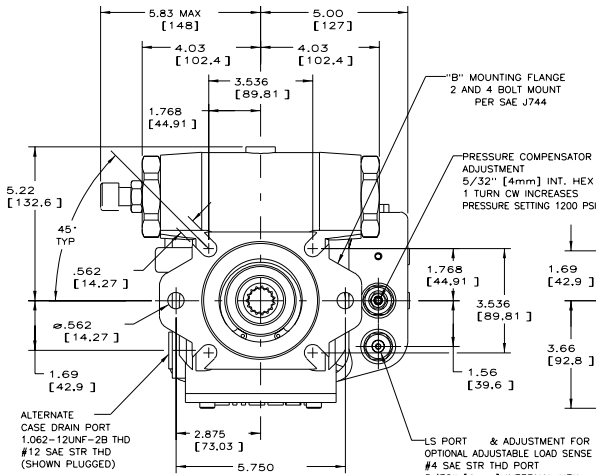
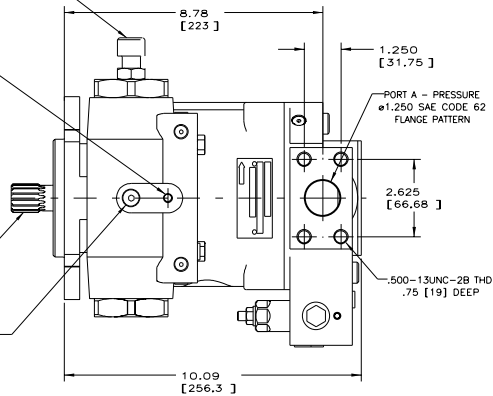
GENERAL NOTES:

- 1) PUMPS ARE DESIGNED FOR ONE-WAY SERVICE
- 2) THESE UNITS ARE DESIGNED TO RUN WITH CASE FULL OF FLUID AT ALL TIMES. FILL CASE BEFORE STARTING AND CONNECT DRAIN LINES ACCORDINGLY.
- 3) NUMERICAL DIMENSIONS GIVEN IN INCHES/[mm].
- 4) TOTAL WEIGHT = 75 LBS [34 KG]

LIFTING LUG HOLE
MB X 16mm DEEP

SHAFT OPTIONS
SHOWN ON SHEET 7

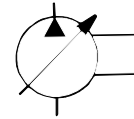
PURGE PORT



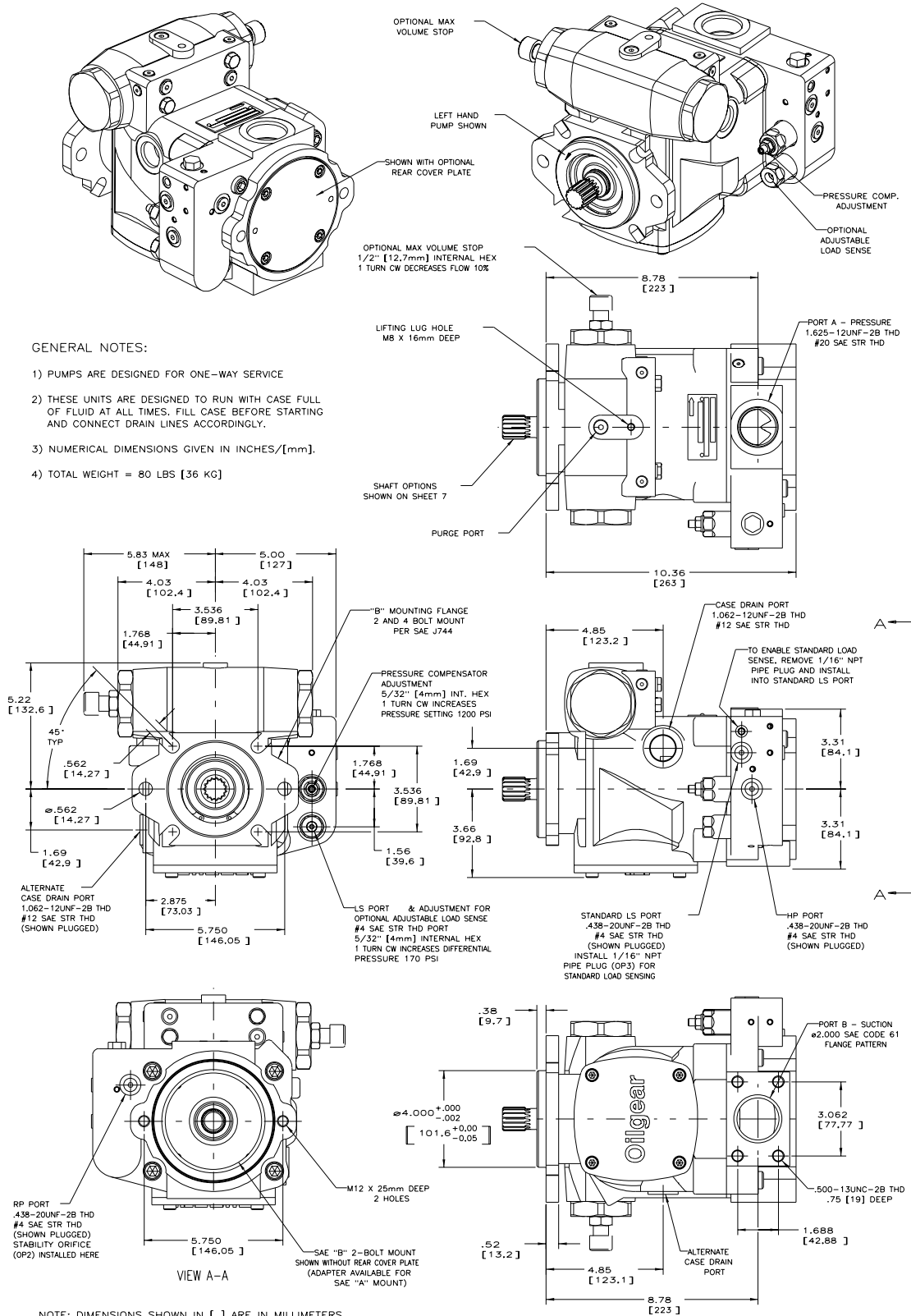
NOTE: DIMENSIONS SHOWN IN [] ARE IN MILLIMETERS

519343-202
REV 7

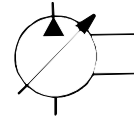
"B" FRAME



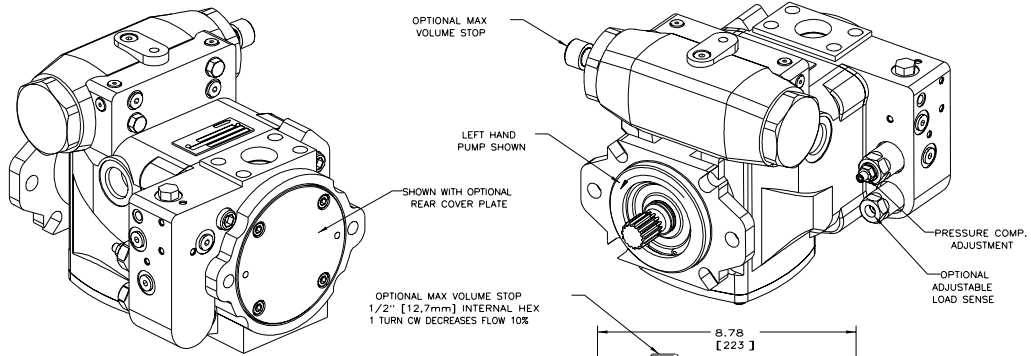
Installation Drawing Side Ported, SAE Pressure & Flanged Suction w/Thru-Shaft



"B" FRAME

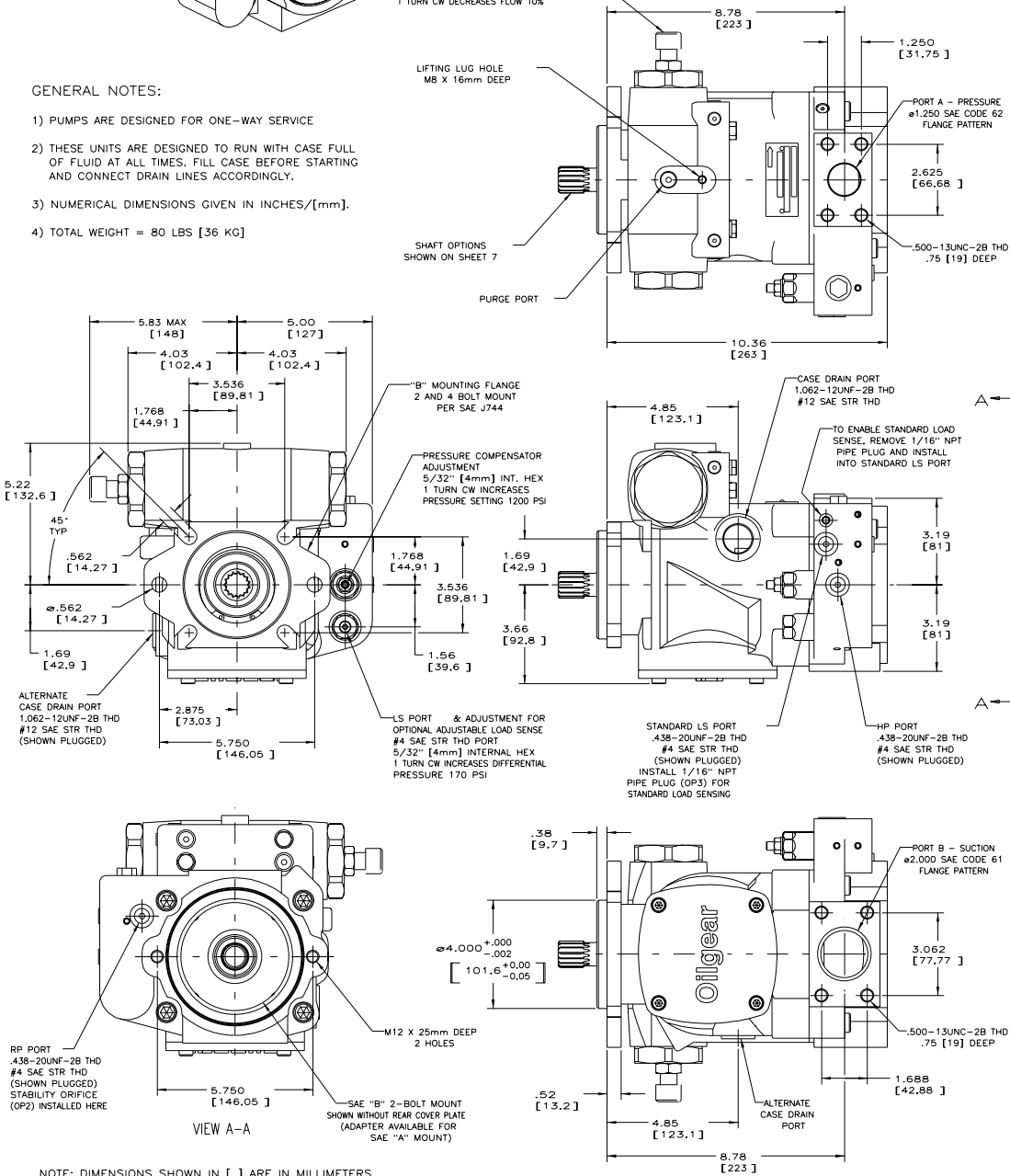


Installation Drawing Side Ported, Flanged Pressure & Suction w/Thru-Shaft

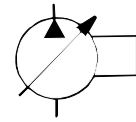


GENERAL NOTES:

- 1) PUMPS ARE DESIGNED FOR ONE-WAY SERVICE
- 2) THESE UNITS ARE DESIGNED TO RUN WITH CASE FULL OF FLUID AT ALL TIMES. FILL CASE BEFORE STARTING AND CONNECT DRAIN LINES ACCORDINGLY.
- 3) NUMERICAL DIMENSIONS GIVEN IN INCHES/[mm].
- 4) TOTAL WEIGHT = 80 LBS [36 KG]



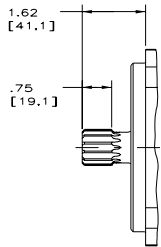
NOTE: DIMENSIONS SHOWN IN [] ARE IN MILLIMETERS



Installation Drawing

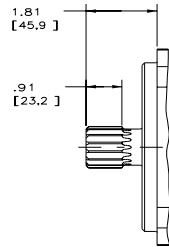
Shaft and Control Options

SAE "B"
SPLINE SHAFT



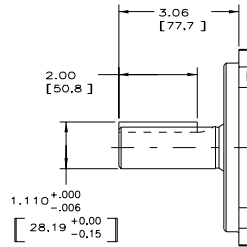
VIEW SHOWING
SPLINE SHAFT
SAE INVOLUTE SPLINE
13 TEETH, 16/32 PITCH
.859 (21.82) MAJOR DIA.

SAE "B-B"
SPLINE SHAFT



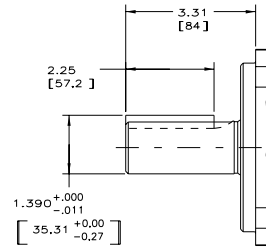
VIEW SHOWING
SPLINE SHAFT
SAE INVOLUTE SPLINE
15 TEETH, 16/32 PITCH
.984 (24.99) MAJOR DIA.

SAE "B-B"
KEYED SHAFT



VIEW SHOWING
KEYED SHAFT
ø1.000-.002 [25.40-0.05]
W/.250 [6.35] SQ. KEY

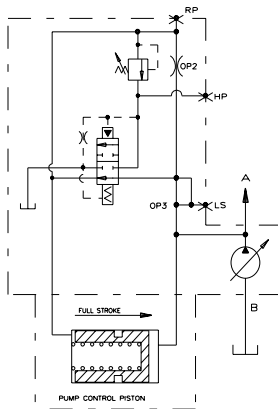
SAE "C"
KEYED SHAFT



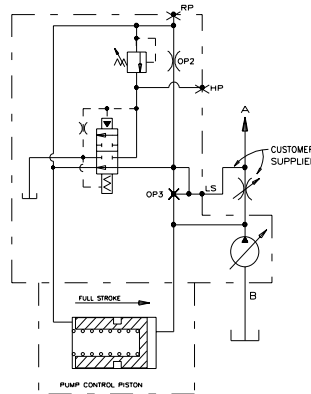
VIEW SHOWING
KEYED SHAFT
ø1.250-.002 [31.75-.05]
W/.312 [7.92] SQ. KEY

PUMP CONTROL OPTIONS

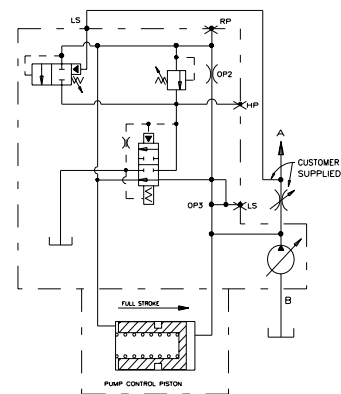
PRESSURE COMPENSATOR



STANDARD LOAD SENSE W/
PRESSURE COMPENSATOR OVERRIDE

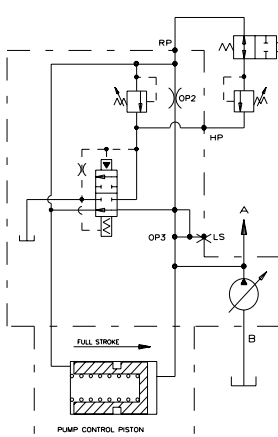


ADJUSTABLE LOAD SENSE W/
PRESSURE COMPENSATOR OVERRIDE

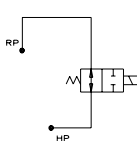


REMOTE PRESSURE CONTROL OPTIONS

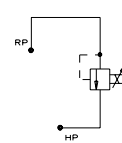
MULTIPLE PRESSURE
COMPENSATOR CONTROL



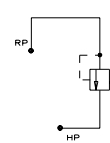
PRESSURE COMPENSATOR
UNLOADING CONTROL



PROPORTIONAL PRESSURE
COMPENSATOR CONTROL



REMOTE PRESSURE
COMPENSATOR CONTROL



NOTE: DIMENSIONS SHOWN IN [] ARE IN MILLIMETERS

519343-202
S1 B