

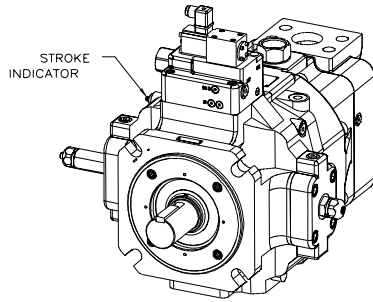
**Installation Drawing**

**Servo Valve Control**

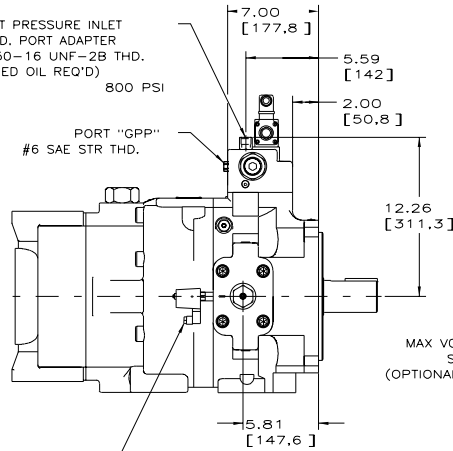
PVV-540-B1U PUMP  
WITH V-M CONTROL

NOTES:

1. PUMPS DESIGNED FOR ONE-WAY SERVICE ARE DIMENSIONED AS SHOWN.
2. THESE UNITS ARE DESIGNED TO RUN CASE FULL OF FLUID AT ALL TIMES. FILL CASE BEFORE STARTING AND CONNECT DRAIN LINES ACCORDINGLY.
3. NUMERICAL DIMENSIONS ARE GIVEN IN INCHES/[MM].
4. NET WEIGHT- 820 LBS (372 KG) SIDE PORTED (SHOWN)  
765 LBS (347 KG) REAR PORTED
5. FOR BASIC PUMP DIMENSIONS SEE:  
DS-47940A
6. LEFTHAND (CCW) VERSION IS SHOWN. FOR RIGHTHAND (CW) VERSION, THE CONTROL CAPS, VOLUME STOPS, AND STROKE INDICATOR WILL BE ON THE OPPOSITE SIDES, ASSUMING THAT THE OUTLET IS ON THE TOP.

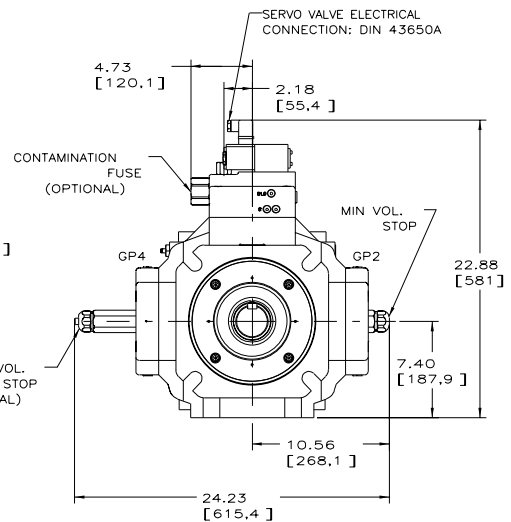


PILOT PRESSURE INLET  
#8 STR THD. PORT ADAPTER  
.750-16 UNF-2B THD.  
(3 MICRON FILTERED OIL REQ'D)

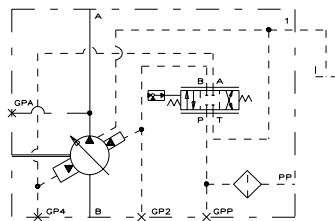


PORT "GPP"  
#6 SAE STR THD.

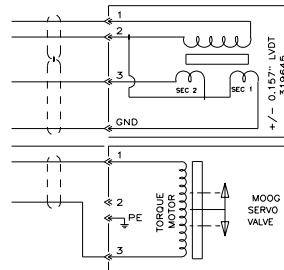
LVDT ELECTRICAL CONNECTION  
- RECOMMENDED CABLE  
ALPHA 5154C OR EQUIVALENT  
4 CONDUCTOR CABLE



519256-003 sh. 1



HYDRAULIC CIRCUIT



ELECTRICAL CIRCUIT

REFER TO SPECIFICATIONS DOCUMENT E807 FOR SERVO COMMAND SIGNAL INFORMATION.