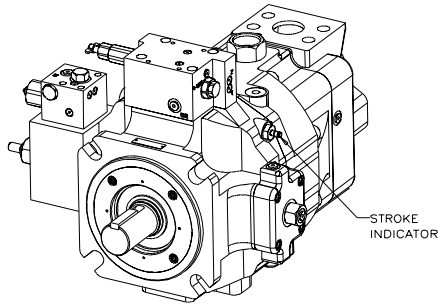


Installation Drawing Single Pressure Compensator or Soft Start Control w/Horsepower Limit

PVV-200/250-BIU PUMP (SHOWN)
 PVV-200/250-B1S PUMP
 WITH P-1NN/H CONTROL (SHOWN)
 AND P-C-/H CONTROL

NOTES:

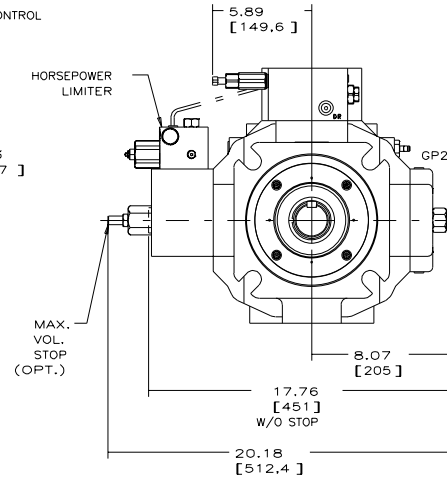
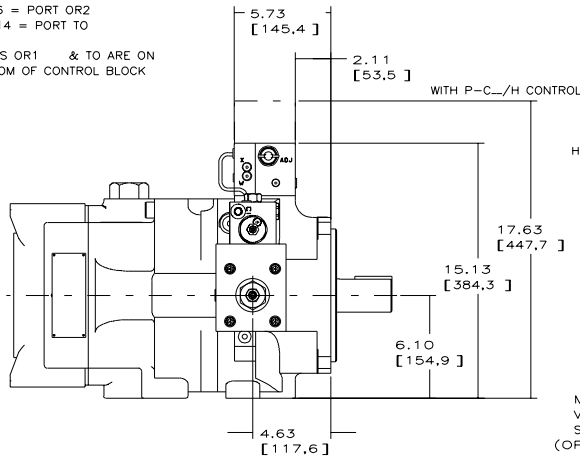
1. PUMPS DESIGNED FOR ONE-WAY SERVICE ARE DIMENSIONED AS SHOWN.
2. THESE UNITS ARE DESIGNED TO RUN CASE FULL OF FLUID AT ALL TIMES. FILL CASE BEFORE STARTING AND CONNECT DRAIN LINES ACCORDINGLY.
3. NUMERICAL DIMENSIONS ARE GIVEN IN INCHES/[MM].
4. NET WEIGHT: P-1NN/H CONTROL
 415 LBS (188 KG) SIDE PORTED (SHOWN)
 390 LBS (177 KG) REAR PORTED
 P-C-/H CONTROL
 425 LBS (193 KG) SIDE PORTED
 400 LBS (181 KG) REAR PORTED
5. FOR BASIC PUMP DIMENSIONS SEE: DS-47939
6. LEFTHAND (CCW) VERSION IS SHOWN. FOR RIGHTHAND (CW) VERSION, THE CONTROL CAPS AND VOLUME STOPS WILL BE ON THE OPPOSITE SIDES, ASSUMING THAT THE OUTLET IS ON TOP.
7. FOR HP CONTROLS, "RP" ON THE CONTROL BLOCK IS CONNECTED TO "C" ON THE HP MODULE WITH AN EXTERNAL TUBE.



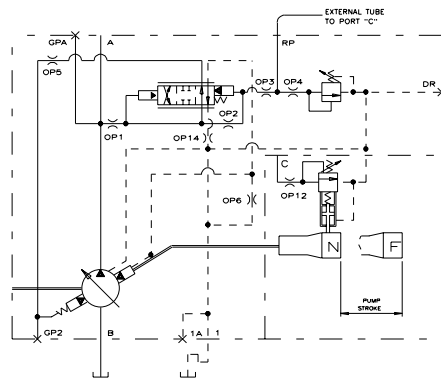
ORIFICE LOCATIONS:

- OP-1 & OP-2 = PORT OR1
- OP-3 & OP-4 = IN 4-WAY VALVE
- OP-5 = PORT BO
- OP-6 = PORT OR2
- OP-14 = PORT TO

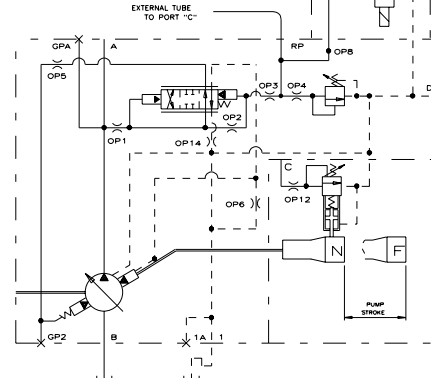
PORTS OR1 & TO ARE ON BOTTOM OF CONTROL BLOCK



P-1NN/H CONTROL
 SINGLE PRESSURE COMPENSATOR CONTROL
 W/ HORSEPOWER LIMITER



P-C-/H CONTROL
 SINGLE PRESSURE SOFT STARTING CONTROL
 W/ HORSEPOWER LIMITER



519103-006 3/11 3