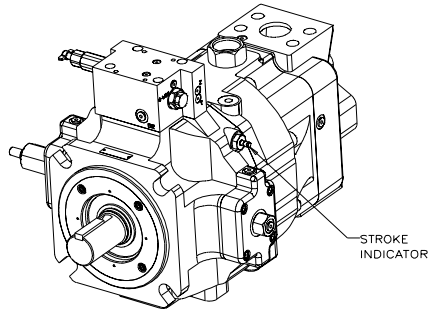


Installation Drawing Single Pressure Compensator or Soft Start Control

PVV-200/250-BIU PUMP (SHOWN)
 PVV-200/250-B1S PUMP
 WITH P-1NN CONTROL (SHOWN)
 AND P-C-- CONTROL



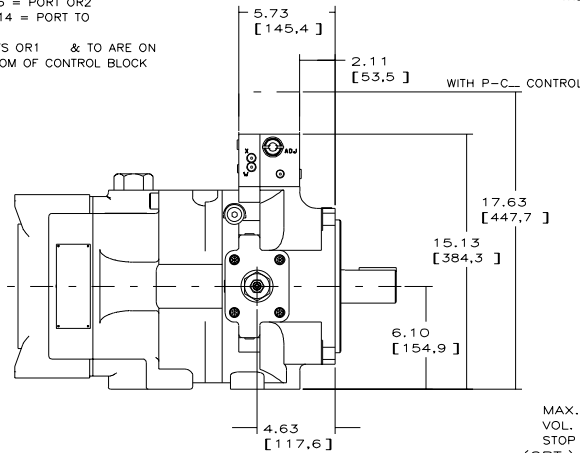
NOTES:

1. PUMPS DESIGNED FOR ONE-WAY SERVICE ARE DIMENSIONED AS SHOWN.
2. THESE UNITS ARE DESIGNED TO RUN CASE FULL OF FLUID AT ALL TIMES. FILL CASE BEFORE STARTING AND CONNECT DRAIN LINES ACCORDINGLY.
3. NUMERICAL DIMENSIONS ARE GIVEN IN INCHES/[MM].
4. NET WEIGHT; P-1NN CONTROL
 395 LBS (179 KG) SIDE PORTED (SHOWN)
 370 LBS (168 KG) REAR PORTED
 P-C-- CONTROL
 405 LBS (184 KG) SIDE PORTED
 380 LBS (172 KG) REAR PORTED
5. FOR BASIC PUMP DIMENSIONS SEE: DS-47939
6. LEFTHAND (CCW) VERSION IS SHOWN. FOR RIGHTHAND (CW) VERSION, THE CONTROL CAPS AND VOLUME STOPS WILL BE ON THE OPPOSITE SIDES, ASSUMING THAT THE OUTLET IS ON THE TOP.

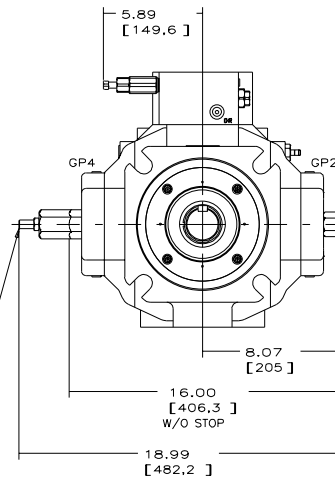
ORIFICE LOCATIONS:

- OP-1 & OP-2 = PORT OR1
- OP-3 & OP-4 = IN 4-WAY VALVE
- OP-5 = PORT B0
- OP-6 = PORT OR2
- OP-14 = PORT TO

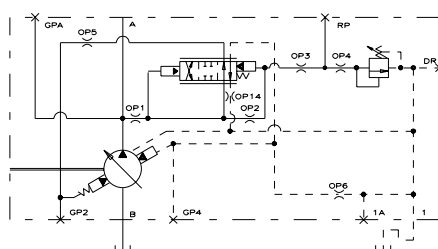
PORTS OR1 & TO ARE ON BOTTOM OF CONTROL BLOCK



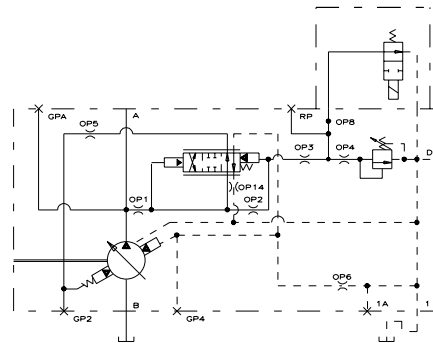
MAX. VOL. STOP (OPT.)



P-1NN CONTROL
 SINGLE PRESSURE COMPENSATOR CONTROL



P-C-- CONTROL
 SINGLE PRESSURE SOFT STARTING CONTROL



518103-006 SH.1