

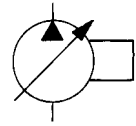


**PUMP, VARIABLE DELIVERY
PVG 100 & 130 (F1U)**

ENGINEERING

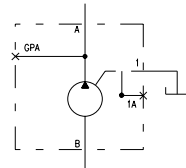
1

"F CONTROL"

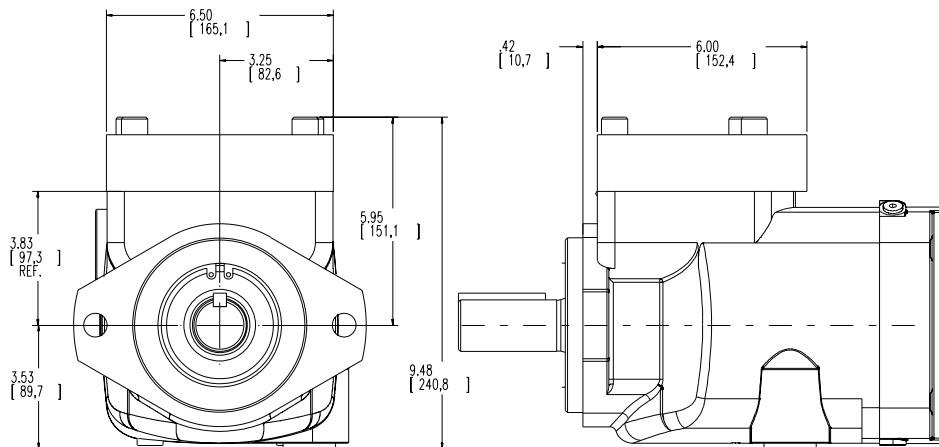
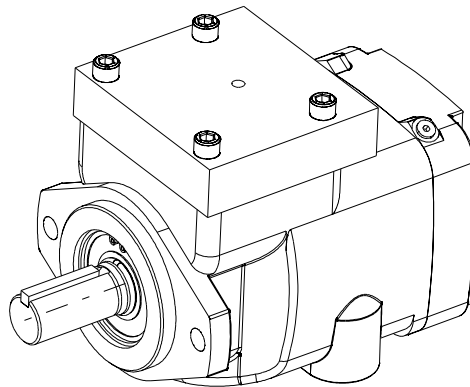


Installation Drawing

Fixed Volume Control



HYDRAULIC CIRCUIT



FOR BASIC PUMP DIMENSIONS
SEE PLANOGRAPHS:
DS-47942 DS-47943 DS-47944

516152-218

Telephone: (414) 327-1700
Fax: (414) 327-0532

OILGEAR
2300 So. 51st. Street
Milwaukee, WI USA 53219

Reissued: April, 2008
DS-47548-A