

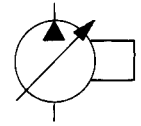


PUMP, VARIABLE DELIVERY PVG 100 & 130 (F1U)

ENGINEERING

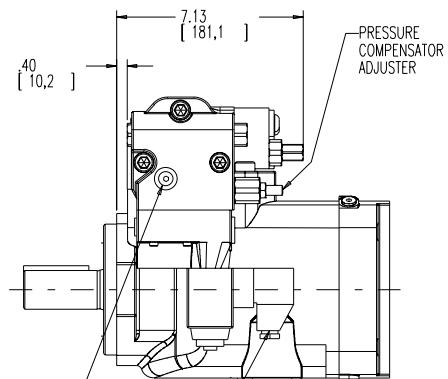
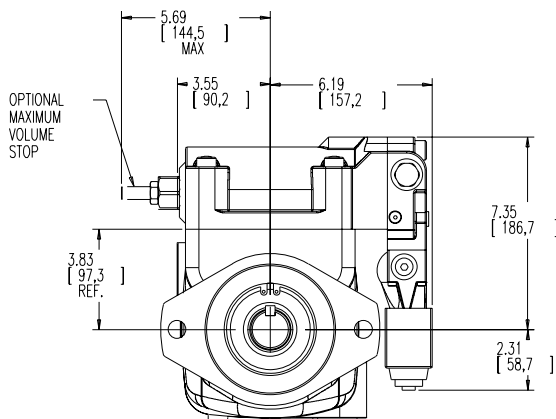
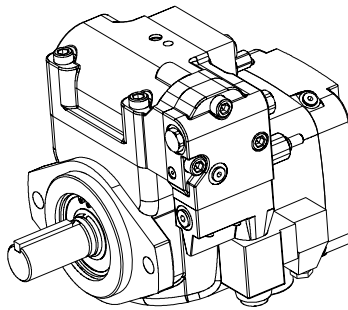
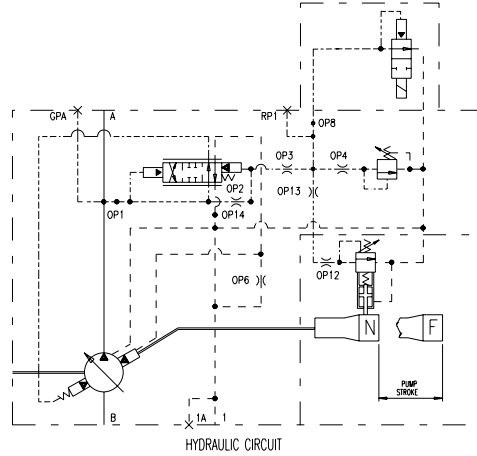
1

"P-C--/H" CONTROL



Installation Drawing

Soft Start Pressure Compensator w/Horsepower



REMOTE PORT RPI
#4 SAE STR. THD.
(PLUGGED)
(.438-20UNF-2B THD.)

PRESSURE SELECTOR SOLENOID
DIN 43650 ELECTRICAL CONN.

FOR BASIC PUMP DIMENSIONS
SEE PLANOGRAPHS:
DS-47942 DS-47943 DS-47944

516152-220

Telephone: (414) 327-1700
Fax: (414) 327-0532

OILGEAR
2300 So. 51st. Street
Milwaukee, WI USA 53219

Issued: April, 2008
DS-47521