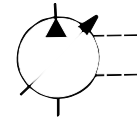




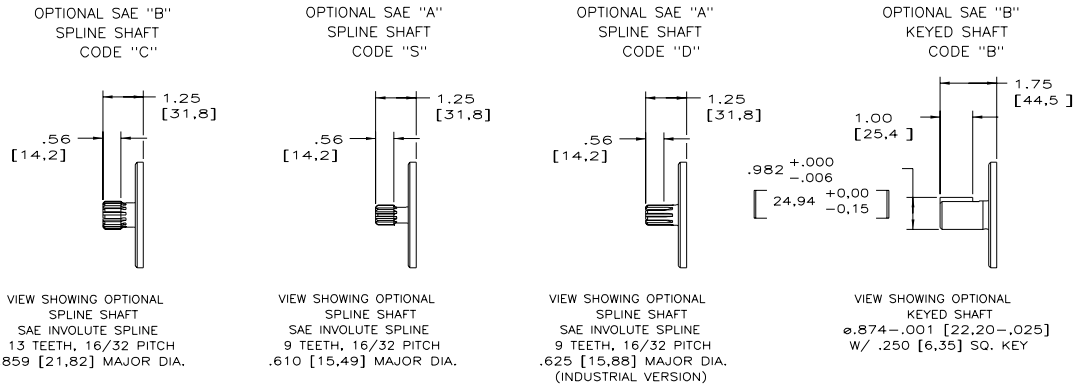
PUMP, VARIABLE DELIVERY PVWJ 011, 014 & 022 WITHOUT CONTROLS

ENGINEERING

1

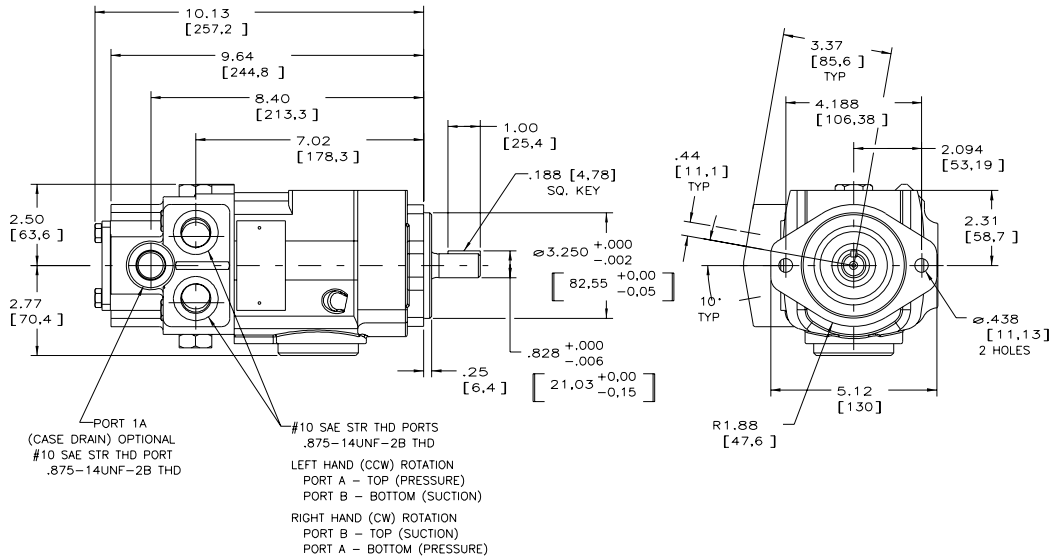
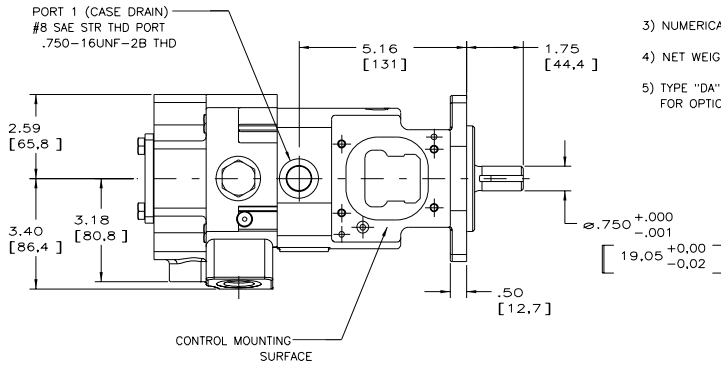


Installation Drawing Basic Pump Without Control – Side Ported



NOTES:

- 1) PUMPS ARE DESIGNED FOR ONE-WAY SERVICE.
- 2) THESE UNITS ARE DESIGNED TO RUN CASE FULL OF FLUID AT ALL TIMES. FILL CASE BEFORE STARTING AND CONNECT DRAIN LINES ACCORDINGLY.
- 3) NUMERICAL DIMENSIONS GIVEN IN INCHES/[MM].
- 4) NET WEIGHT- 26 LBS. [11,82 KG].
- 5) TYPE "DA" VALVE PLATE SHOWN. SEE SHEET 2 FOR OPTIONAL "GA" AND "TA" VALVE PLATES.

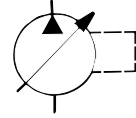


520084-103

Telephone: (414) 327-1700
Fax: (414) 327-0532

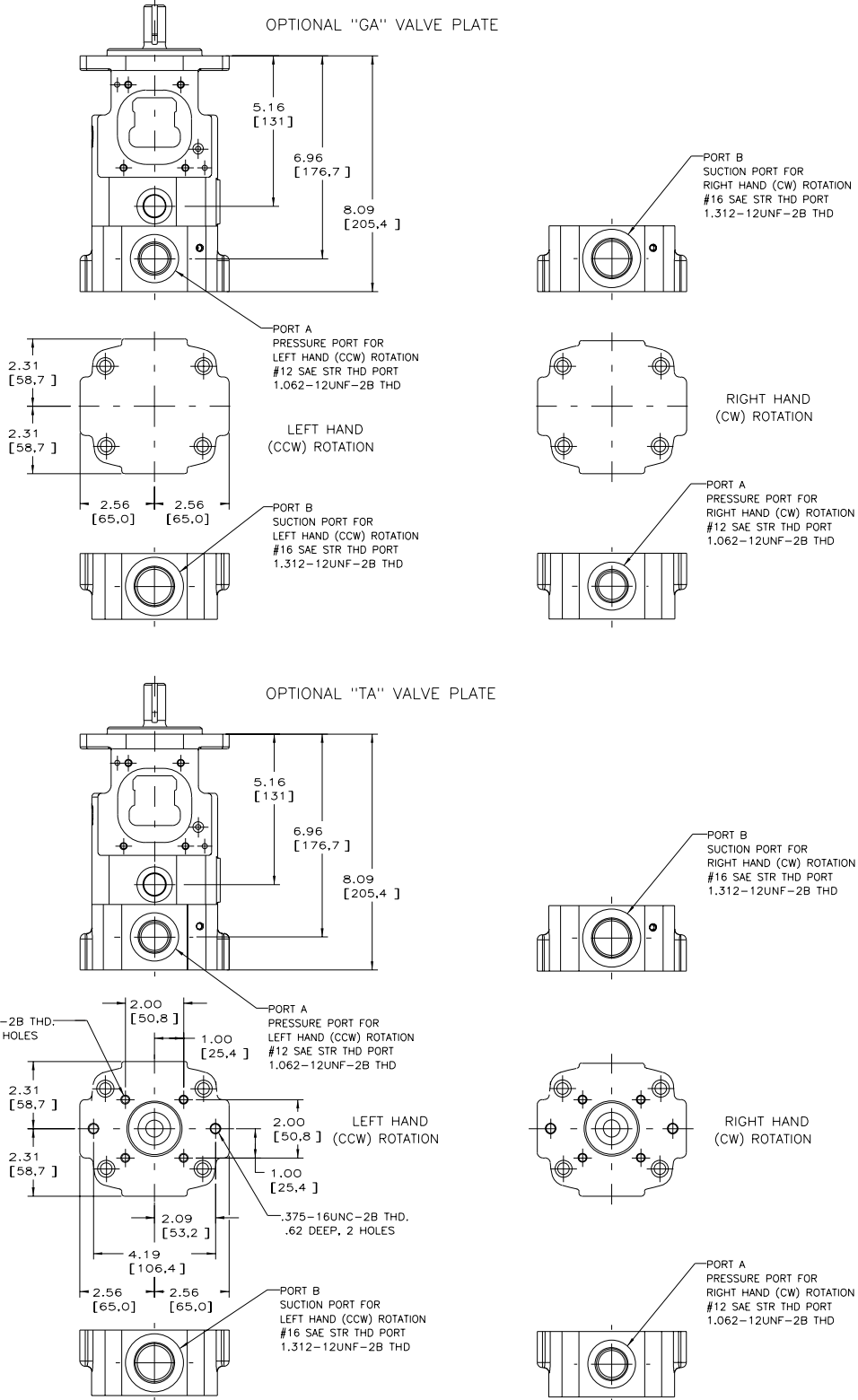
OILGEAR
2300 So. 51st. Street
Milwaukee, WI USA 53219

Issued: Oct., 2006
DS-47482



Installation Drawing

Basic Pump Without Control – Side Ported



520034-103 sh. 2