



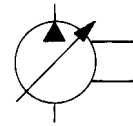
PUMP, VARIABLE DELIVERY

ENGINEERING

1

PVV-200 or 250

"F" CONTROL



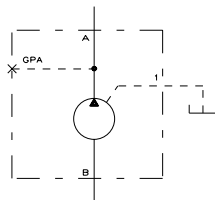
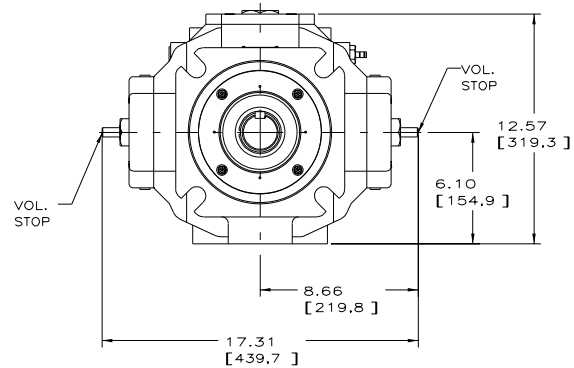
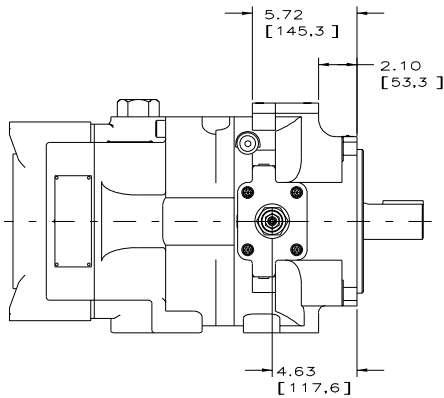
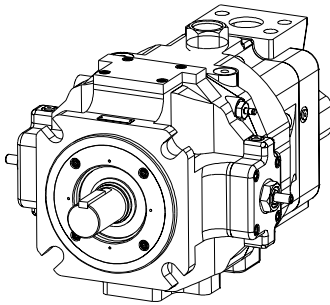
Installation Drawing

(Screw Adjustable) Fixed Volume Control

PVV-200/250-BIU PUMP (SHOWN)
PVV-200/250-B1S PUMP
WITH F-CONTROL

NOTES:

1. PUMPS DESIGNED FOR ONE-WAY SERVICE ARE DIMENSIONED AS SHOWN.
2. THESE UNITS ARE DESIGNED TO RUN CASE FULL OF FLUID AT ALL TIMES. FILL CASE BEFORE STARTING AND CONNECT DRAIN LINES ACCORDINGLY.
3. NUMERICAL DIMENSIONS ARE GIVEN IN INCHES/[MM].
4. NET WEIGHT- 385 LBS (175 KG) SIDE PORTED (SHOWN)
360 LBS (163 KG) REAR PORTED
5. FOR BASIC PUMP DIMENSIONS SEE:
DS-47939



HYDRAULIC CIRCUIT

519103-005

Telephone: (414) 327-1700
Fax: (414) 327-0532

OILGEAR
2300 So. 51st. Street
Milwaukee, WI USA 53219

Reissued: June, 2004
DS-47169-B