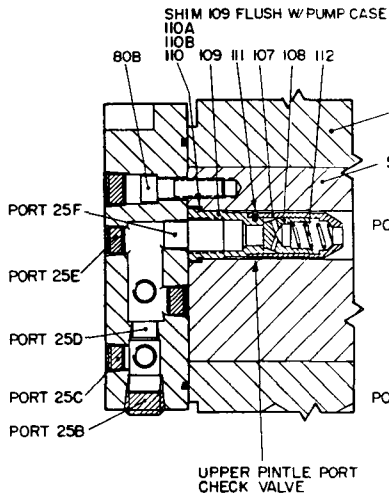
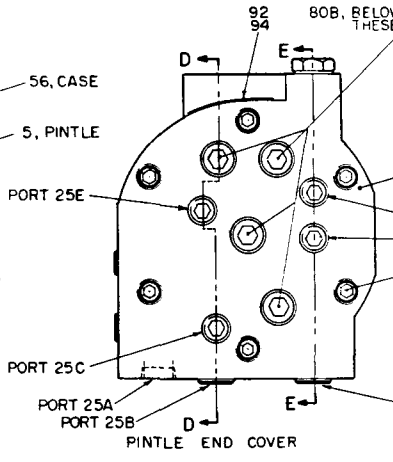


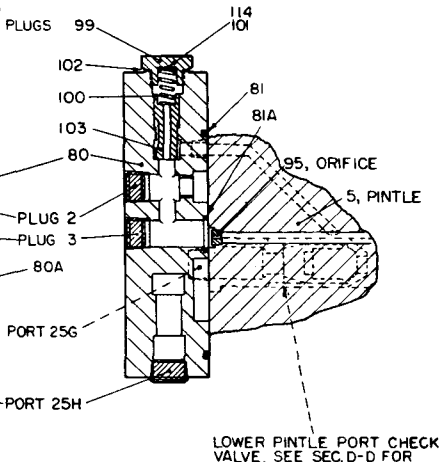
PUMPS WITH PINTLE CHECK VALVES



SECTION D-D



ALTERNATE VIEW C-C



SECTION E-E

SEE BULLETIN 947000 FOR
BALANCE OF PARTS

IX PARTS LIST SUPPLEMENT *

PART NO.	DESCRIPTION
80B	SCREW, SOCK. HD. CAP
81	SEAL, O'RING - 1/8 x 8-1/2 - 70
81A	SEAL, O'RING - 1/8 x 1-1/4 - 70
94	PLATE, INSTRUCTIONS
107	BODY, PINTLE CHECK VALVE
108	PLUNGER, PINTLE CHECK VALVE
109	SEAT, PINTLE CHECK VALVE
110	SHIM
110A	SHIM
110B	SHIM
111	SCREW, CUP POINT SET
112	SPRING, PINTLE CHECK VALVE
114	WASHER, 1/4" PLAIN

*SEE PUMP BULLETIN FOR PARTS NOT LISTED.
O'RING SIZES GIVEN IN CROSS SECTION x
O.D. - DURO±5
PARTS USED IN THIS ASSEMBLY ARE PER OILGEAR SPECIFICATIONS.
USE OILGEAR PARTS TO INSURE COMPATIBILITY WITH ASSEMBLY
REQUIREMENTS.

THESE PUMPS ARE THE SAME AS THOSE IN PUMP BULLETIN WITH THE EXCEPTION OF THE SHOWN PINTLE END COVER AND PINTLE CHECK VALVES. WITH THESE EXCEPTIONS, THE MATERIAL IN THE BULLETIN CAN BE USED. SPECIFICATIONS FOR SIZE 15025 ARE THE SAME AS THOSE FOR 15025 IN THE BULLETIN. ADDITIONAL SPECIFICATIONS FOR SIZE 15035 FOLLOW-

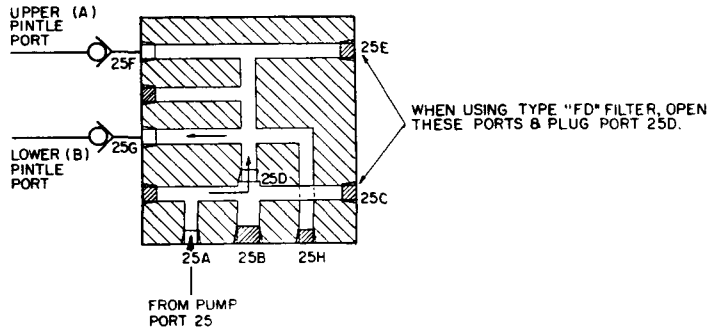
IV A

Size	a	b*	c*	d	e	f	g	h	i	k
15035	.531	.010 to .015	.008 to .012	.035	.12	2.50	100	.05	---	900

IV D. I. PUMPS FOR GENERAL STRAIGHT-LINE APPLICATIONS. RATING FOR CONTINUOUS SERVICE IS 1100, 1700, 2500 AND 3500 P.S.I. AS INDICATED BY THE FIGURES 11, 17, 25 OR 35 IN THE BODY OF THE TYPE DESIGNATION. RELIEF VALVE SETTING IS 1475, 2100, 3000 AND 4000 RESPECTIVELY WHEN BLOWING 1/2 PUMP VOLUME.

SEE DS-947919 FOR PINTLE CHECK SUCTION VALVE.
SEE DS-989907 FOR "FD" FILTER WHEN USED.

PARTIAL CUTAWAY DIAGRAM OF PINTLE COVER



TR	DR. DLP	CH	503297A
	App. 2/77		
PARTS DRAWING, PINTLE CHECK VALVE			

REISSUED JAN 1965

THE OILGEAR COMPANY
MILWAUKEE, WISCONSIN, U.S.A. 53204

PRINTED IN U.S.A. 503297A