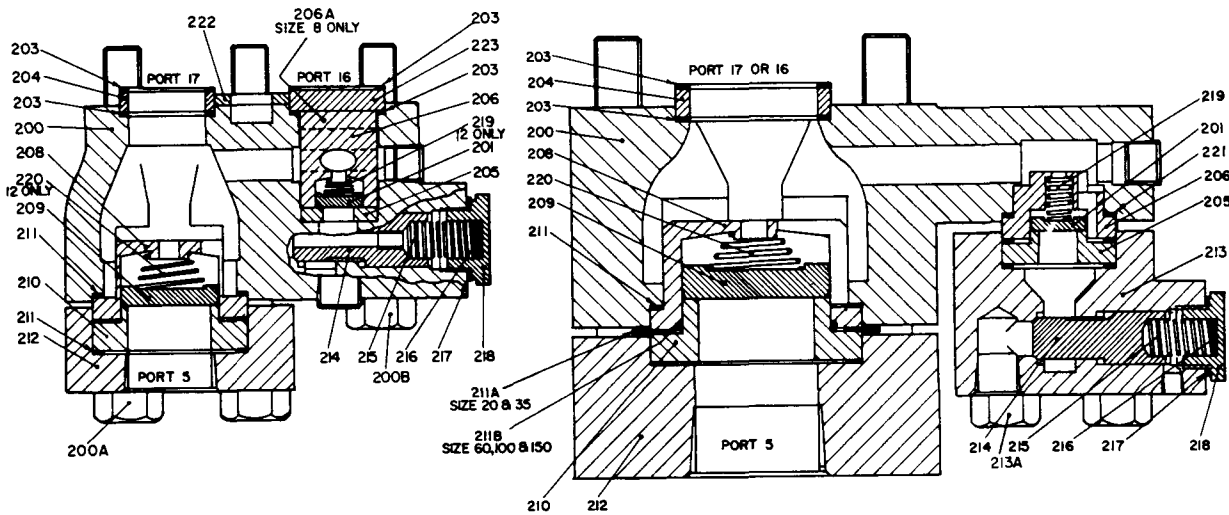


OILGEAR SUCTION VALVE

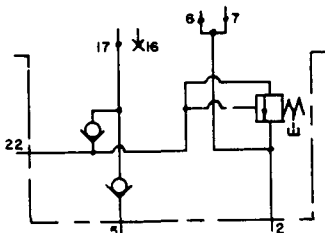
SUCTION CHECK & SUPERCHARGE CHECK TYPE



PRINTED IN U.S.A.

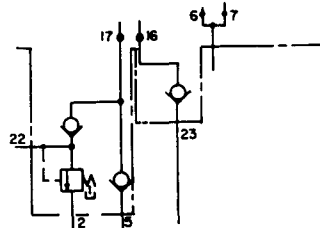


SIZE 8 & 12



WHEN THIS SUCTION VALVE IS USED,
A CHECK VALVE FOR FREE FLOW FROM
RESERVOIR TO PORT "A" IS NORMALLY USED.

SIZE 20 THRU 150



PARTS LIST

| Part No. | Description | Part No. | Description |
|----------|--|----------|----------------------|
| 200. | Body, Suction Valve | 213A. | Bolt, Hex. Hd. |
| 200A. | Screw, Sock. Hd. Cap. | 214. | Plunger, B. P. R. V. |
| 200B. | Bolt, Hex. Hd. | 215. | Spring, B. P. R. V. |
| 201. | Disc, Small Check | 216. | Shims, B. P. R. V. |
| 203. | Gasket, Spacer | 217. | Gasket, B. P. R. V. |
| 204. | Spacer, Hollow | 218. | Cap, B. P. R. V. |
| 205. | Seat, Small Check | 219. | Spring, Small Disc. |
| 206. | Cage, Small Check | 220. | Spring, Large Disc. |
| 206A. | Spacer, Check Cage | 221. | Gasket, BPRV Flange |
| 208. | Cage, Large Check | 222. | Gasket |
| 209. | Disc, Large Check | 223. | Spacer, Blank |
| 210. | Seat, Large Check | | |
| 211. | Gasket, Cage | 250. | Flange, Check Valve |
| 211A. | Gasket, Cage | 250A. | Bolt, Hex. Hd. |
| 211B. | Seal, O'ring 1/8 Cross Section, 3 - 1/2 O. D, 90 Duro | 251. | Gasket, Cage |
| 212. | Flange, Port 5 | 252. | Cage, Check |
| 213. | Body, B. P. Rel. Valve | 253. | Disc, Check |

NOTE When ordering replacement parts, be sure to include unit serial number, data sheet (DS) number and part number. Specify type of hydraulic fluid used when ordering O'rings, seals, or packings.

| | | | | |
|---------------------------------------|--------|--------|-----|--------|
| TR | DR. DP | CH. DP | APP | 506405 |
| PART. SUPERCHARGE CHECK SUCTION CHECK | | | | |

ISSUED MAY 1967

THE OILGEAR COMPANY
MILWAUKEE 4, WISCONSIN, U.S.A.

DS-947909