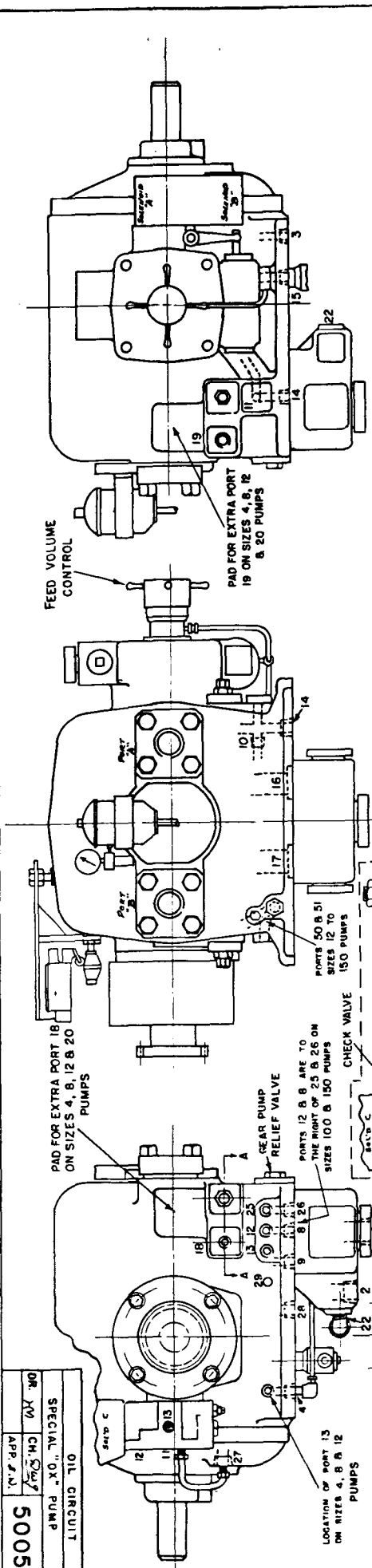
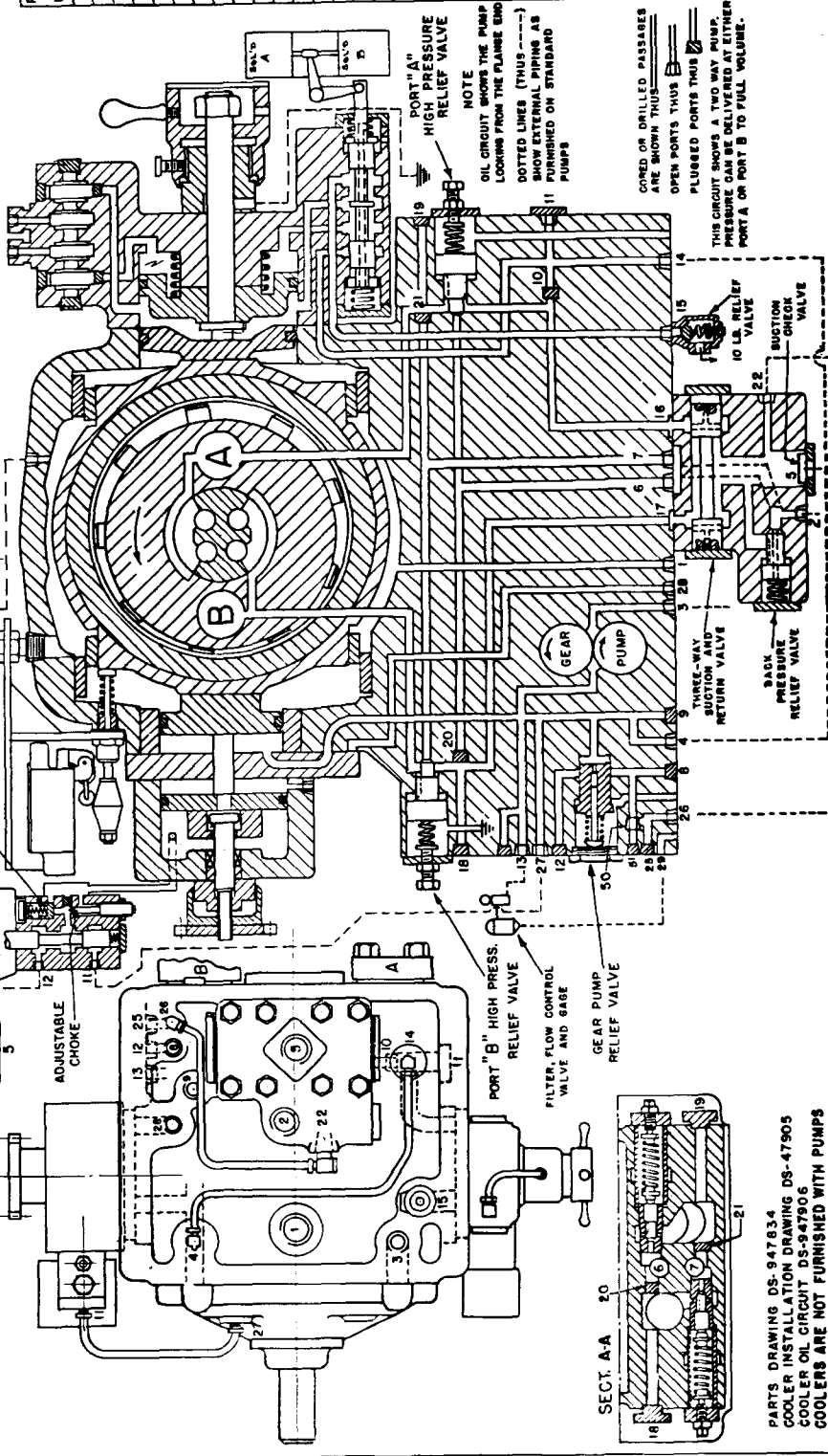


905005
SPECIAL "OX" PUMP
OIL CIRCUIT



TYPE "OX" PUMP (SPECIAL)

PORT NO.	PORT DESCRIPTION	PIPE TAP SIZE
1	HIGH PRESSURE CONN.	3/4
2	HIGH PRESSURE CONN.	3/4
3	CASE DRAIN	1/2
4	EXCESS RETURN EXHAUST	1/2
5	GEAR PUMP SUCTION	1/2
6	GEAR PUMP PRESSURE	1/2
7	RELIEF VALVE EXHAUST	1/2
8	RELIEF VALVE EXHAUST	1/2
9	GEAR PUMP REL. VLV. EXH.	1/2
10	GEAR PUMP PRESSURE	1/2
11	'A' SIDE CONTROL CONN.	1/2
12	'A' SIDE CONTROL CONN.	1/2
13	GEAR PUMP REL. VLV. EXH.	1/2
14	GEAR PUMP PRESSURE	1/2
15	'A' SIDE CONTROL EXHAUST	3/8
16	'A' CORE SIZE	7/8
17	'B' CORE SIZE	7/8
18	'A' CORE CONNECTION	3/8
19	'B' CORE CONNECTION	3/8
20	'A' REL. VLV. CROSS CONN.	1/4
21	'B' REL. VLV. CROSS CONN.	1/4
22	STANDARD SUPERCHARGE	3/8
23	FULL STR. GYL. CONN.	1/4
24	AUXILIARY CONN.	1/2
25	AUXILIARY CONN.	1/2
26	AUXILIARY CONN.	1/2
27	'B' SIDE CONTROL EXHAUST	1/2
28	'B' SIDE CONTROL EXHAUST	1/2
29	OIL FILTER DRAIN	-
30	G.P.R.V. EXHAUST	-
31	ACCESS PORT TO PORT 30	-
32	BLANK FLANGES UNLESS OTHERWISE SPECIFIED	-



PARTS DRAWING DS-947834
COOLER INSTALLATION DRAWING DS-47905
COOLER OIL CIRCUIT DS-947906
COOLERS ARE NOT FURNISHED WITH PUMPS