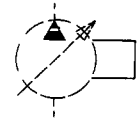
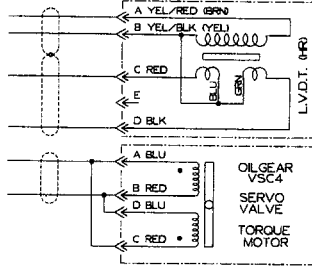


# "V-S" CONTROL



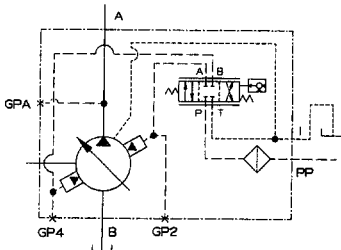
### Parts Drawing

### Servo Valve Control

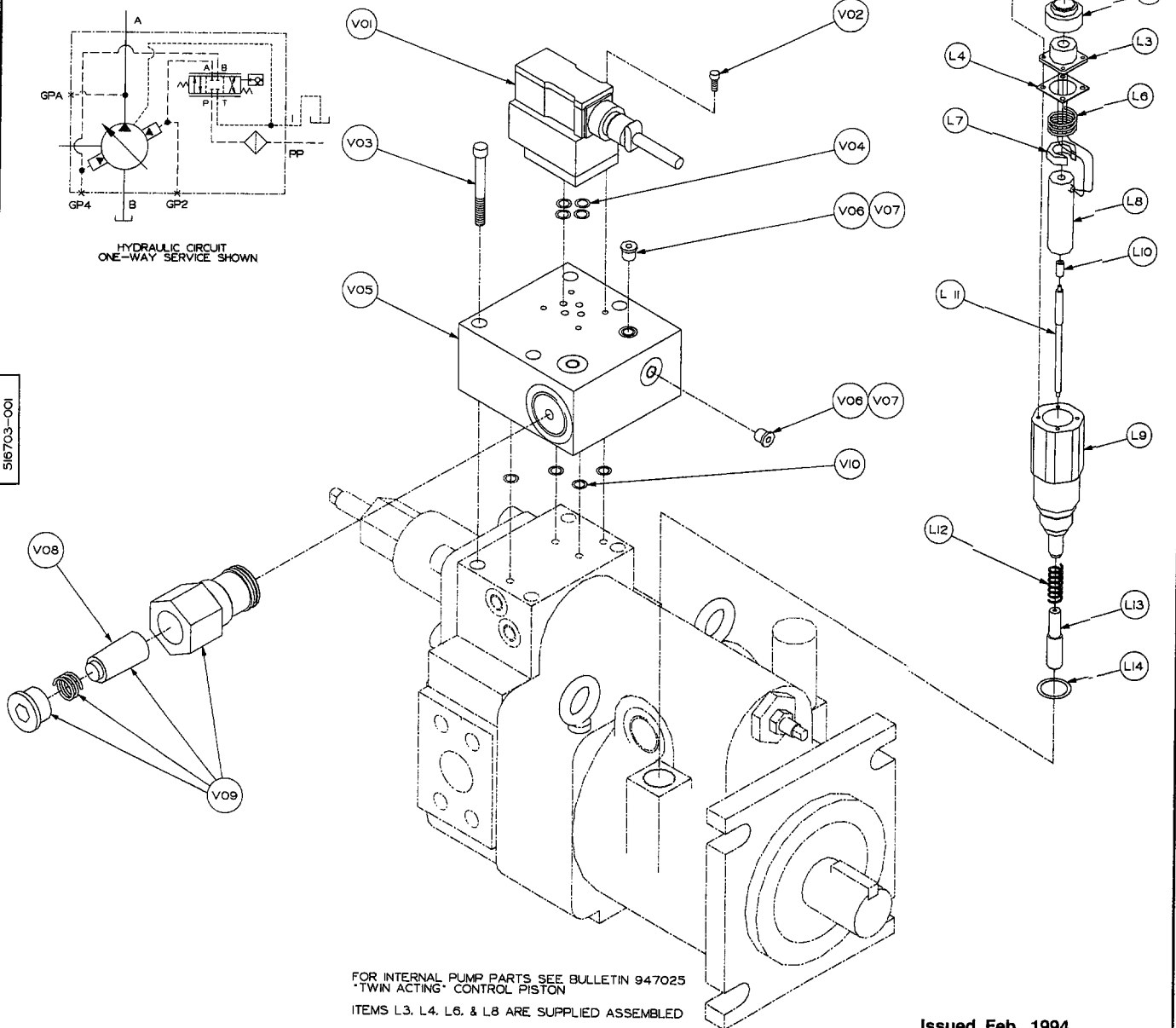


ELECTRICAL CIRCUIT

REFER TO SPECIFICATIONS DOCUMENT E807 FOR SERVO COMMAND SIGNAL INFORMATION.



HYDRAULIC CIRCUIT  
ONE-WAY SERVICE SHOWN



518703-001

FOR INTERNAL PUMP PARTS SEE BULLETIN 947025  
\*TWIN ACTING\* CONTROL PISTON  
ITEMS L3, L4, L6, & L8 ARE SUPPLIED ASSEMBLED

Issued Feb., 1994

**OILGEAR**  
2300 So. 51st Street  
MILWAUKEE, WI USA 53219

Telephone: (414) 327-1700  
Fax: (414) 327-0532  
Telex: 2-69411

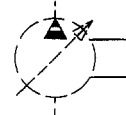


**PUMP, VARIABLE DELIVERY  
PVK 140, 270 & 370**

**MAINTENANCE**

**2**

**"V-S" CONTROL**



**Parts List**

**Servo Valve Control**

Parts used in this assembly are per Oilgear specifications. Use Oilgear parts to ensure compatibility with assembly requirements. When ordering replacement parts, be sure to include pump type designation, serial number, Data Sheet (DS) number and item number. To assure seal and packing compatibility, specify type of hydraulic fluid used.

<b>ITEM NO.</b>	<b>DESCRIPTION</b>	<b>ITEM NO.</b>	<b>DESCRIPTION</b>
V01	Valve, Servo	L1	Boot and Clamp
V02	Screw, SHC	L2	Plug
V03	Screw, SHC	L3*	Connector, LVDT
V04	Seal, O'ring	L4*	Gasket, LVDT
V05	Block, "V-S" Control	L5	Screw, Slot
V06	Plug, Hollow Hex.	L6*	Spring, LVDT
V07	Seal, O'ring	L7	Spacer, LVDT Spring
V08	Fuse, Contamination	L8*	Assembly, LVDT
V09	Fuse, Assembly Contamination	L9	Body, LVDT
V10	Seal O'ring	L10	Core, LVDT
		L11	Extension, LVDT
		L12	Spring, LVDT
		L13	Stem, LVDT
		L14	Seal, O'ring

\*Items L3, L4 & L6 furnished only as part of L8

**ARP 568 UNIFORM SIZE NUMBERS  
FOR O'RING (W/DUROMETER) AND BACK-UP RING**

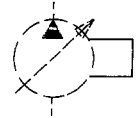
<b>ITEM NO.</b>	<b>PUMP SIZE</b>	
	<b>140</b>	<b>270</b>
V04	011 - 90	**
V07	904 - 90	906 - 90
V10	113 - 90	117 - 90
L14	912 - 70	912 - 70
**For V-S25		011 - 90
**For V-S50		906 - 90

Issued Feb., 1994

**OILGEAR**  
2300 So. 51st Street  
MILWAUKEE, WI USA 53219

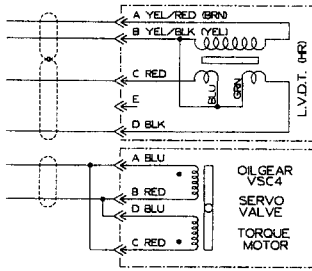
**Telephone:** (414) 327-1700  
**Fax:** (414) 327-0532  
**Telex:** 2-69411

## "V-S" CONTROL



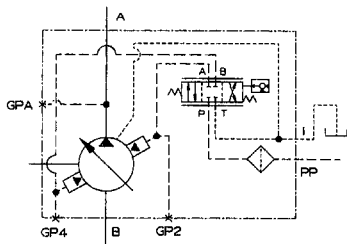
### Parts Drawing

### Servo Valve Control

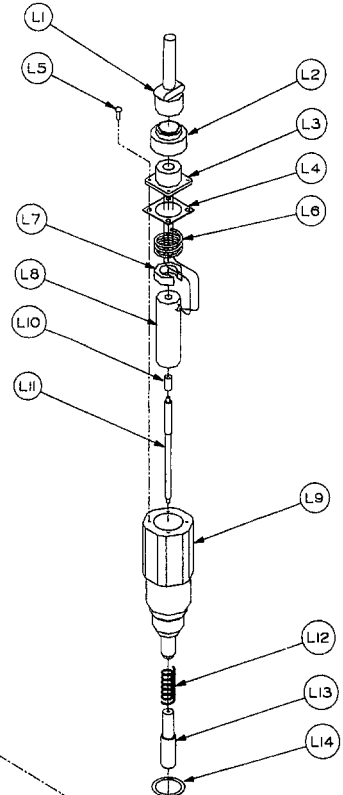


ELECTRICAL CIRCUIT

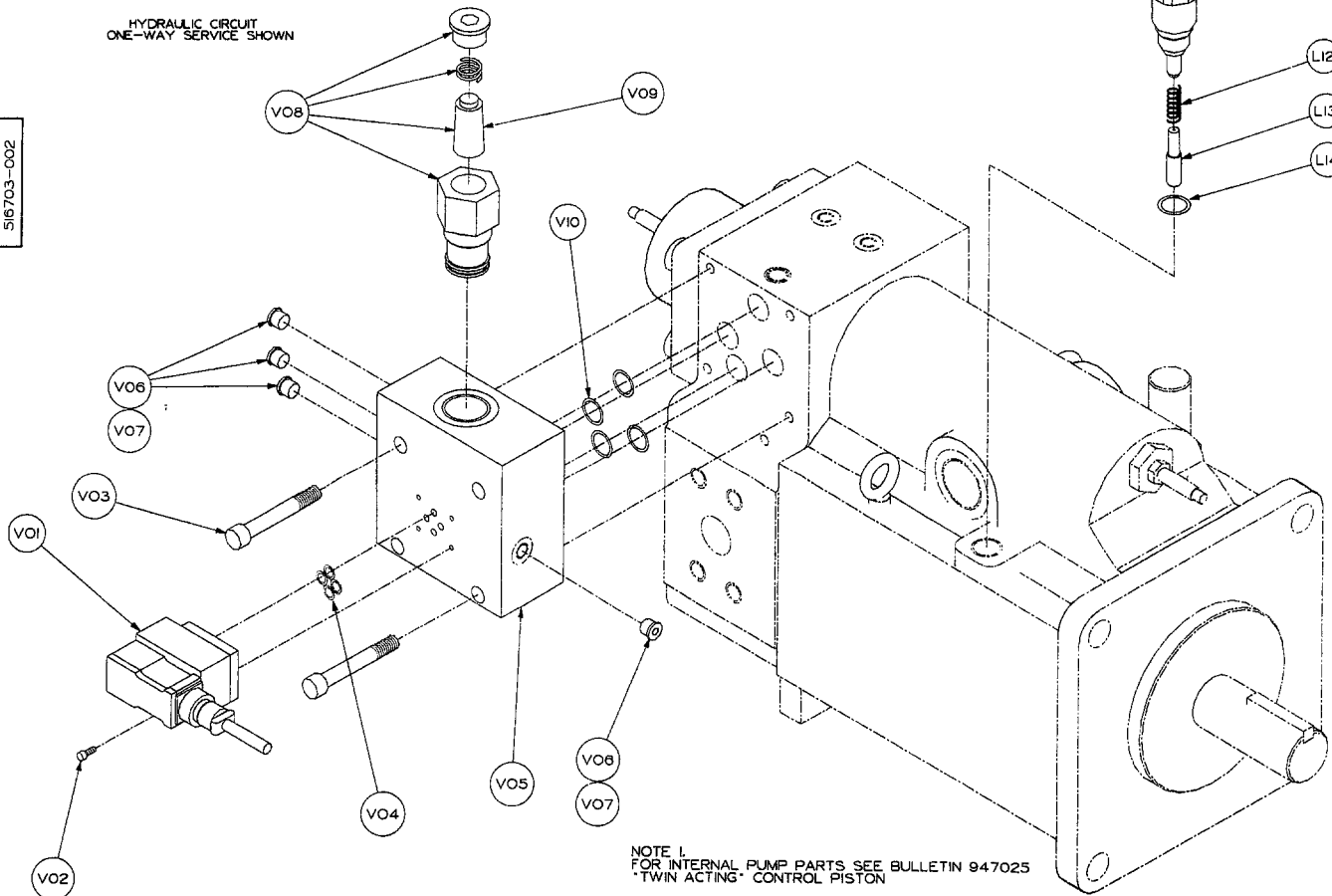
REFER TO SPECIFICATIONS DOCUMENT E807 FOR SERVO COMMAND SIGNAL INFORMATION.



HYDRAULIC CIRCUIT  
ONE-WAY SERVICE SHOWN



516703-002



NOTE 1  
FOR INTERNAL PUMP PARTS SEE BULLETIN 947025  
"TWIN ACTING" CONTROL PISTON

ITEMS L3,L4,L6, & L8 ARE SUPPLIED ASSEMBLED

Issued Feb., 1994

**OILGEAR**  
2300 So. 51st Street  
MILWAUKEE, WI USA 53219

Telephone: (414) 327-1700  
Fax: (414) 327-0532  
Telex: 2-69411

DS 947727