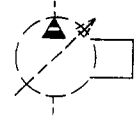
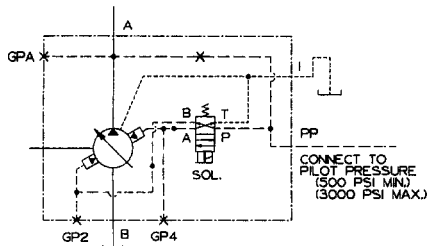
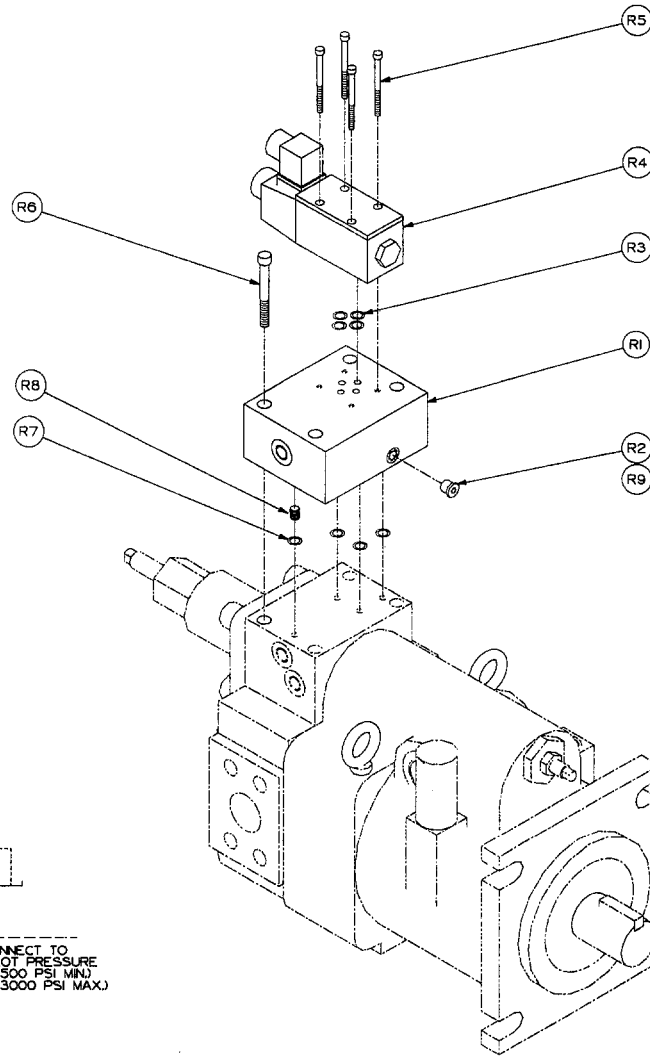


"R" CONTROL



Parts Drawing

Solenoid Operated Volume Control



PVK 140 HYDRAULIC CIRCUIT

FOR INTERNAL PUMP PARTS SEE BULLETIN 947025
TWIN ACTING ONE WAY *CONTROL PISTON

516703-006

Issued Jan. 1994

OILGEAR
2300 So. 51st Street
MILWAUKEE, WI USA 53219

Telephone: (414) 327-1700
Fax: (414) 327-0532
Telex: 2-69411

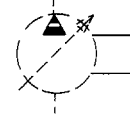
DS 947625



**PUMP, VARIABLE DELIVERY
PVK 140, 270 & 370**

MAINTENANCE

2



"R" CONTROL

Parts List

Solenoid Operated Volume Control

Parts used in this assembly are per Oilgear specifications. Use Oilgear parts to ensure compatibility with assembly requirements. When ordering replacement parts, be sure to include pump type designation, serial number, Data Sheet (DS) number and item number. To assure seal and packing compatibility, specify type of hydraulic fluid used.

ITEM NO.	DESCRIPTION
R1	Block, "R" Control
R2	Plug, Hollow Hex.
R3	Seal, O'rings
R4	Assembly, 4-Way Valve
R5	Screws, S.H.C.
R6	Screws, S.H.C.
R7	Seal, O'rings
R8	Plug, Flush
R9	Seal, O'ring

ARP 568 UNIFORM SIZE NUMBERS

FOR O'RING (W/DUROMETER) AND BACK-UP RING

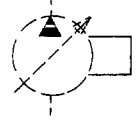
ITEM NO.	PUMP SIZE	
	140	270 - 370
R3	013 - 90	013 - 90
R7	113 - 90	117 - 90
R9	904 - 90	906 - 90

Issued Jan. 1994

OILGEAR
2300 So. 51st Street
MILWAUKEE, WI USA 53219

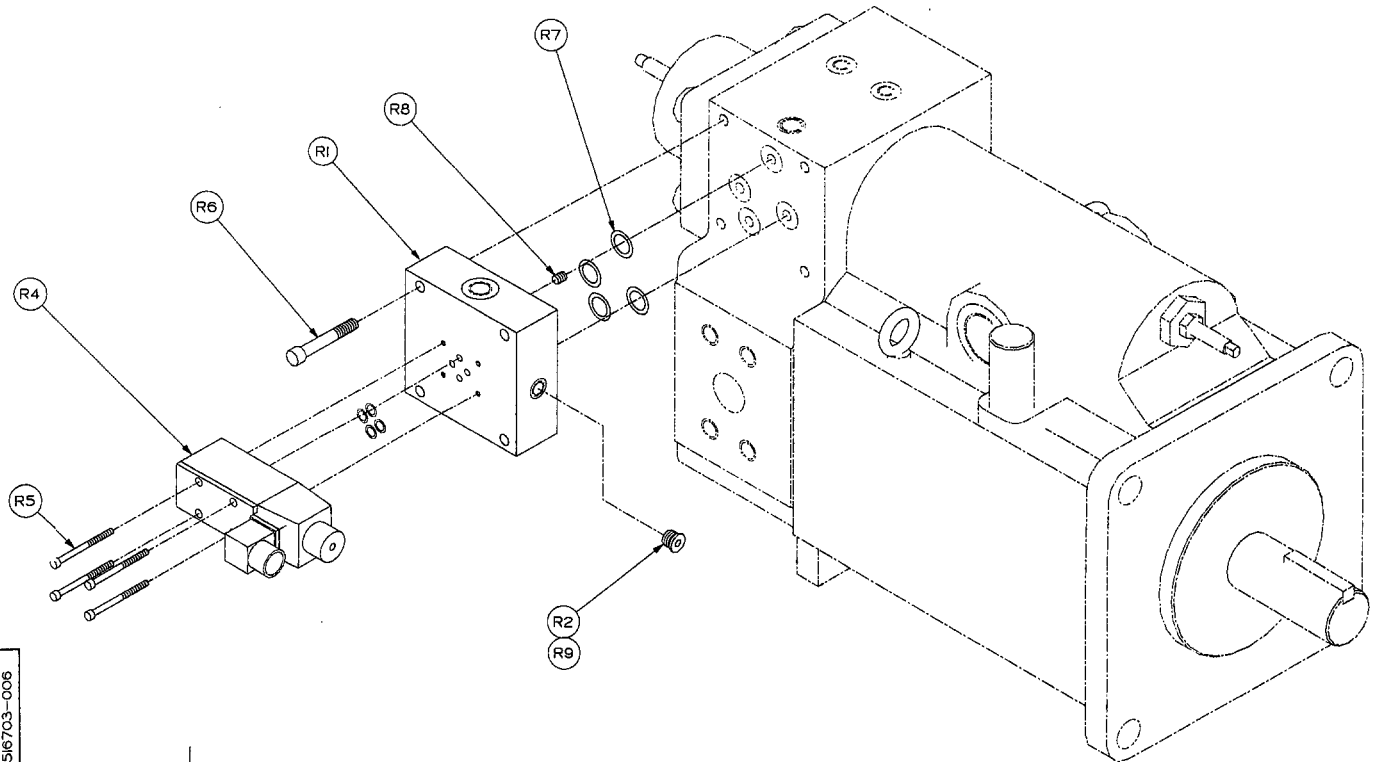
Telephone: (414) 327-1700
Fax: (414) 327-0532
Telex: 2-69411

"R" CONTROL

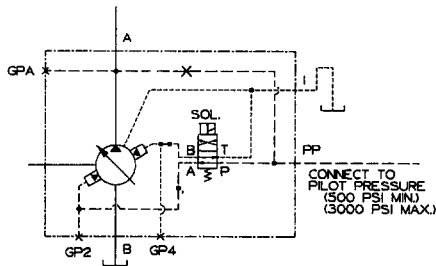


Parts Drawing

Solenoid Operated Volume Control



516703-006



PVK 270/370 HYDRAULIC CIRCUIT

FOR INTERNAL PUMP PARTS SEE BULLETIN 947025
"TWIN ACTING, ONE WAY" CONTROL PISTON

Issued Jan. 1994

OILGEAR
2300 So. 51st Street
MILWAUKEE, WI USA 53219

Telephone: (414) 327-1700
Fax: (414) 327-0532
Telex: 2-69411

DS 947625