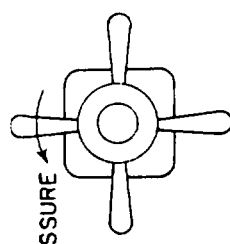
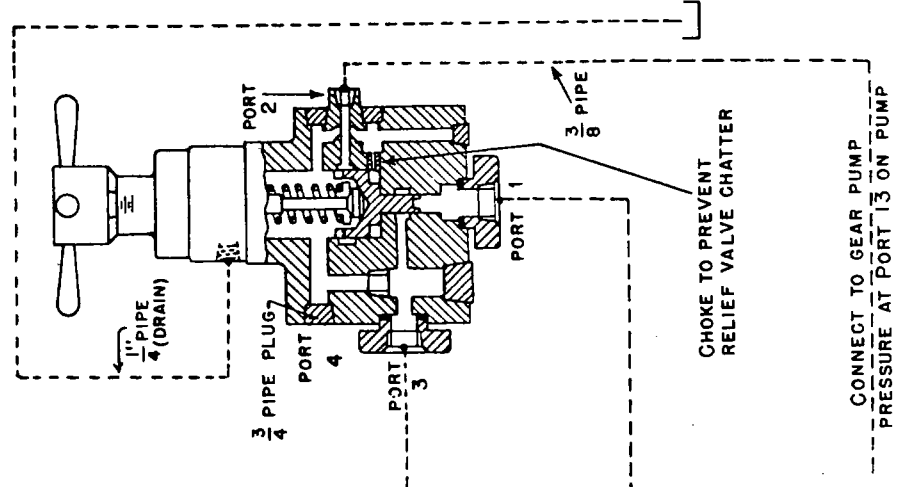


# TYPE "DHP" PUMP WITH REMOTE PRESSURE CONTROL VALVE



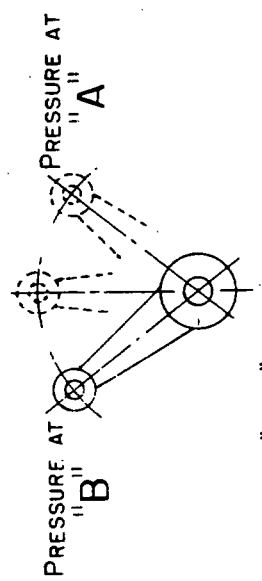
DECREASE PRESSURE

ADJUST THIS REMOTE PRESSURE CONTROL VALVE FOR VARYING PRESSURE



CHOKE TO PREVENT RELIEF VALVE CHATTER

CONNECT TO GEAR PUMP PRESSURE AT PORT 13 ON PUMP



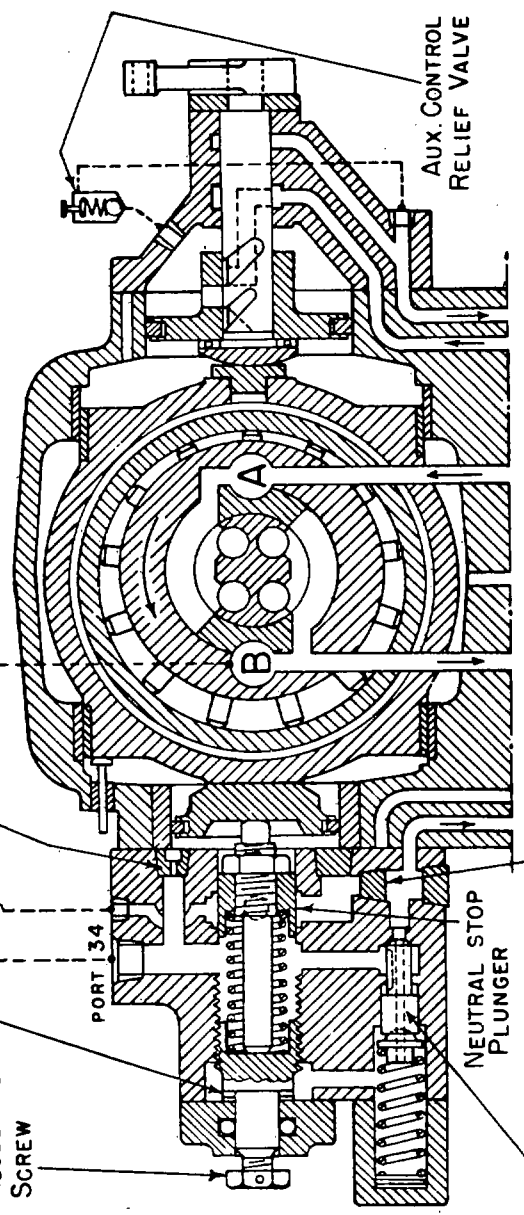
"DHP" CONTROL LEVER

ORIFICE (ONLY IF NECESSARY TO RAISE OPERATING PRESSURE FOR PRESSURE SWITCH)

PRESSURE SWITCH CONNECTION

3/4" PIPE

3/4" HIGH PRESSURE LINE FROM PUMP



CIRCUIT SHOWS PUMP VIEWED FROM FLANGE END

1/2" PIPE PLUG

CONTROL RELIEF VALVE

OIL CIRCUIT REMOTE PRESSURE CONTROL VALVE  
DR. G.M. CH. G.M.

- REFERENCES:
- "DHP" PUMP OIL CIRCUIT DS-947421-A
  - REMOTE PRESS. CONTROL VALVE INST. DWG. DS-47502
  - REMOTE PRESS. CONTROL VALVE PARTS DWG. DS-947502

PORT 24

1" PIPE CONNECTION TO GEAR PUMP PRESSURE AT PORT 11 ON PUMP

FULL STROKE STOP

VOLUME ADJUSTING SCREW

PORT 134

NEUTRAL STOP PLUNGER