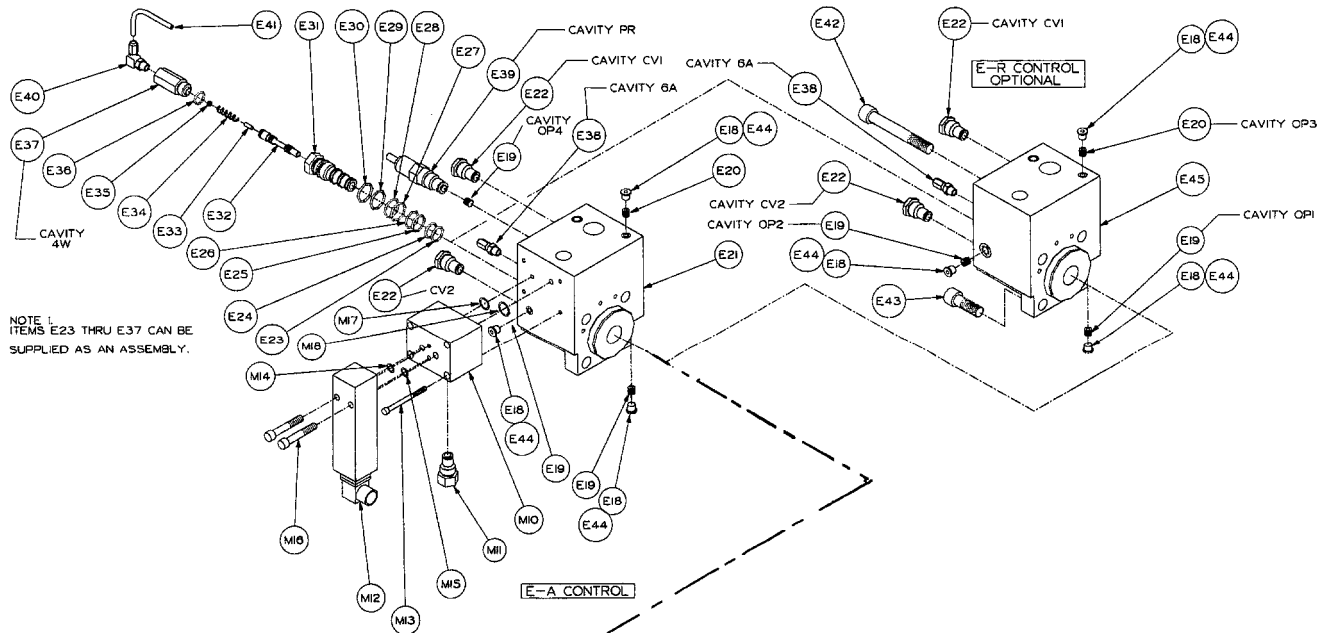
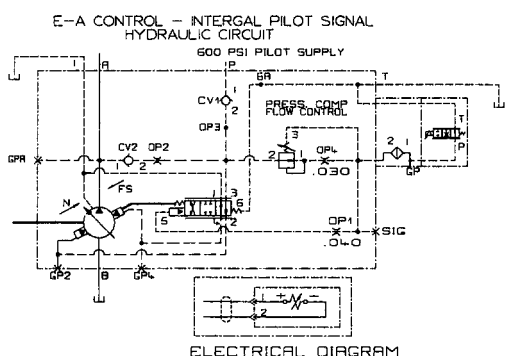
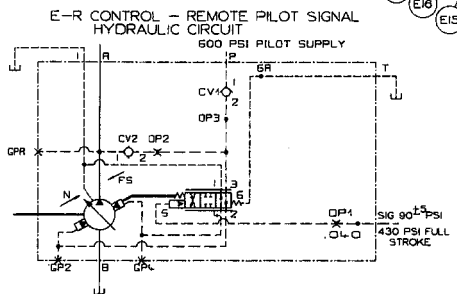


Parts Drawing

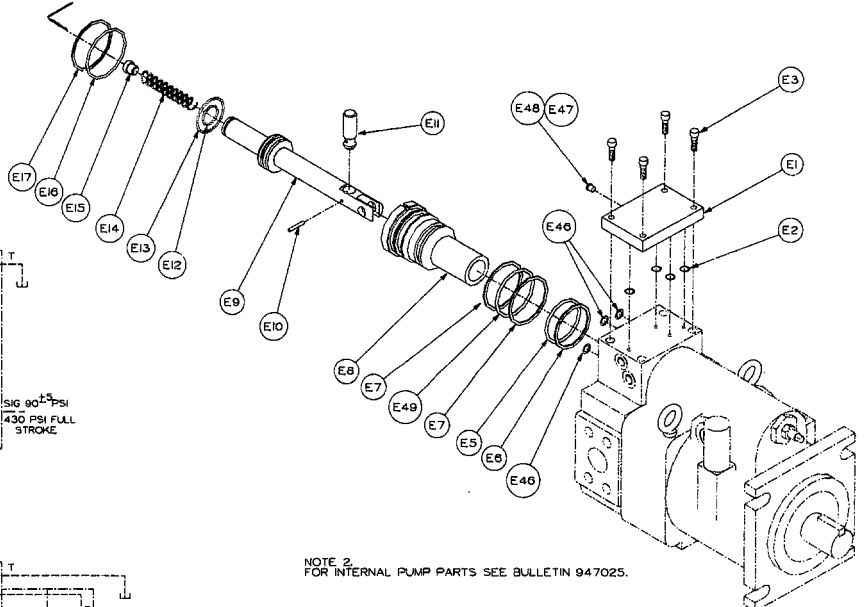
Proportional Pilot Signal Displacement Control



SIG703-03



NOTE 2:
FOR INTERNAL PUMP PARTS SEE BULLETIN 947025.



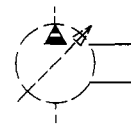


**PUMP, VARIABLE DELIVERY
PVK 140, 270 & 370 PUMPS**

MAINTENANCE

2

"E" CONTROL



Parts List

Proportional Pilot Signal Displacement Control

Parts used in this assembly are per Oilgear specifications. Use Oilgear parts to ensure compatibility with assembly requirements. When ordering replacement parts, be sure to include pump type designation, serial number, Data Sheet (DS) number and item number. To assure seal and packing compatibility, specify type of hydraulic fluid used.

ITEM NO.	DESCRIPTION	ITEM NO.	DESCRIPTION
E1	Cover, Control Mtg. Face	E30	Seal, O'ring
E2	Seal, O'ring	E31	Valve Body, "E" Control
E3	Screw, S.H.C.	E32	Spool, "E" Control
E4	Ring, GT (270 & 370 only)	E33	Screw, C.P.S.
E5	Seal, Back-up	E34	Spring
E6	Ring, O'ring	E35	Shim
E7	Ring, Back-up (140 only)	E36	Seal, O'ring
E8	Sleeve, "E" Control	E37	Bonnet, "E" Control
E9	Piston, "E" Control	E38	Connector, Male
E10	Pin, Roll (or Cotter)	E39	Valve, Pressure Reducing
E11	Pin, Control Volume Stop	E40	Elbow, Male
E12	Ring, Piston	E41	Tubing, Steel
E13	Ring, Piston	E42	Screw, S.H.C.
E14	Spring	E43	Screw, S.H.C.
E15	Guide, Spring	E44	Seal, O'ring
E16	Seal, O'ring	E45	Head, Control
E17	Ring, Back-up	E46	Seal, O'ring
E18	Plug, Hollow Hex.	E47	Plug, Hollow Hex. (140 only)
E19	Plug, Orifice	E48	Seal, O'ring (140 only)
E20	Plug, Orifice	E49	Seal, O'ring (140 only)
E21	Block, "E" Control	M10	Module, Proportional Pressure Control
E22	Assembly, H.S.C. Check Valve	M11	Fuse, Filter
E23	Seal, O'ring	M11A	Element, Fuse Filter
E24	Ring, Back-up	M12	Control, Proportional Pressure
E25	Seal, O'ring	M13	Screw, S.H.C.
E26	Ring, Back-up	M14	Seal, O'ring
E27	Seal, O'ring	M15	Seal, O'ring
E28	Ring, Back-up	M16	Screws, S.H.C.
E29	Seal, O'ring	M17	Seal, O'ring
		M18	Seal, O'ring

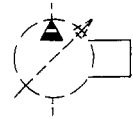
**ARP 568 UNIFORM SIZE NUMBERS
FOR O'RINGS (w/DUROMETER) AND BACK-UP RINGS**

ITEM NO.	PUMP SIZE		ITEM NO.	PUMP SIZE	
	140	270 & 370		140	270 & 370
E2	113 - 90	117 - 90	E29	118 - 90	118 - 90
E5	332 - 90	346 - 90	E30	211 - 90	211 - 90
E6	332	346	E36	908 - 90	908 - 90
E7	334	----	E44	904 - 90	906 - 90
E16	336 - 90	332 - 70	E46	109 - 90	112 - 90
E17	336	332	E48	902 - 90	----
E23	016 - 90	016 - 90	E49	334 - 90	----
E24	016	016			
E25	017 - 90	017 - 90	M14	012 - 70	012 - 70
E26	017	017	M15	015 - 90	015 - 90
E27	018 - 90	018 - 90	M17	210 - 90	210 - 90
E28	018	018	M18	210 - 90	210 - 90

OILGEAR
2300 So. 51st Street
MILWAUKEE, WI USA 53219

Telephone: (414) 327-1700
Fax: (414) 327-0532
Telex: 2-69411

"E" CONTROL



Parts Drawing

Proportional Pilot Signal Displacement Control

