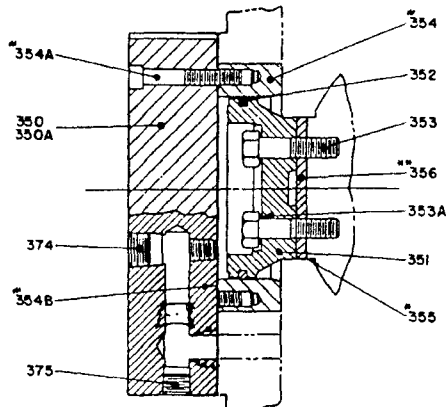


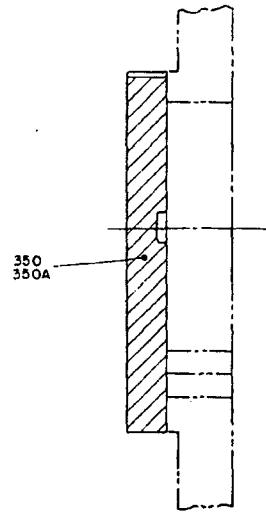
STANDARD OPPOSING OPERATORS
FOR
OILGEAR TYPE "D" UNITS



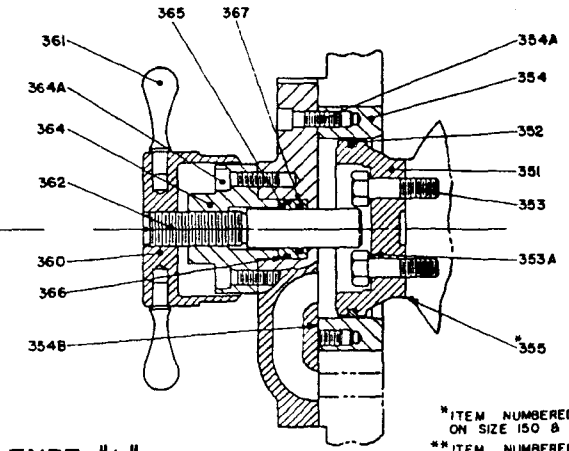
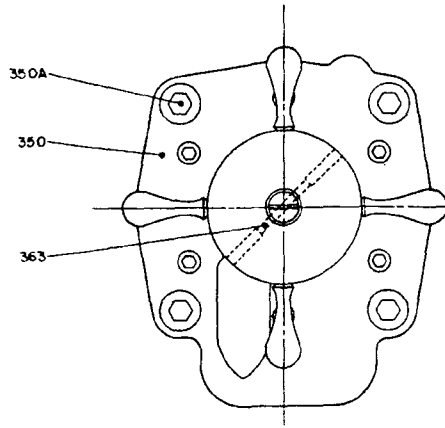
PRINTED IN U.S.A. 504243



TYPE "K"

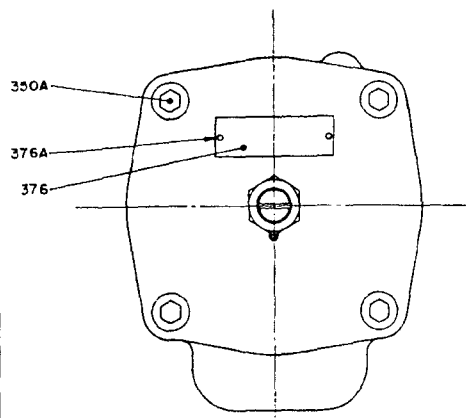


TYPE "B"

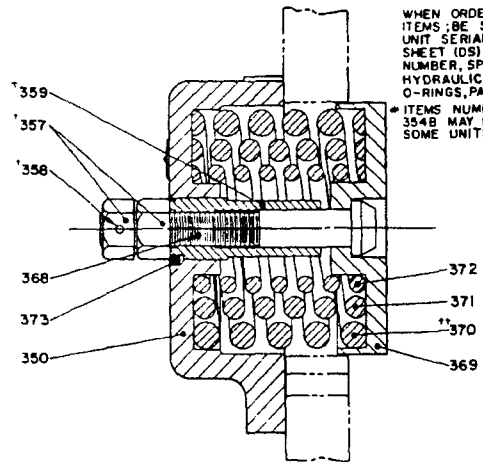


TYPE "L"

* ITEM NUMBERED 355 USED ON SIZE 150 & LARGER.
** ITEM NUMBERED 356 USED ON ONE-WAY UNITS.
† ITEMS NUMBERED 357, 358, 359, 364 AND 364A NOT USED ON NON-ADJUSTABLE UNITS.
** ITEM NUMBERED 370 NOT USED ON SOME SIZES.



TYPE "J"



WHEN ORDERING REPLACEMENT ITEMS; BE SURE TO INCLUDE UNIT SERIAL NUMBER, DATA SHEET (DS) NUMBER & ITEM NUMBER, SPECIFY TYPE OF HYDRAULIC FLUID FOR O-RINGS, PACKING & SEALS.
* ITEMS NUMBERED 354, 354A & 354B MAY NOT BE USED ON SOME UNITS.

TR	DR	APP	PARTS DRAWING "D" UNIT OPPOSING OPERATORS 504243A
	CH		
	APP		

REISSUED: OCT 1977

THE OILGEAR COMPANY
MILWAUKEE, WISCONSIN, U.S.A.

DS-947015A

504243

PARTS LIST
STANDARD OPPOSING OPERATORS FOR TYPE "D" UNITS

Item No.	Description	Item No.	Description
TYPE "K" HYDRAULIC NON-ADJUST. OPERATOR		TYPE "J" SPRING OPPOSING OPERATOR	
350.	Housing, Hydraulic Operator	350.	Housing, Spring Operator
350A.	Screw, Sock. Hd. Cap	350A.	Screw, Sock. Hd. Cap
351.	Piston, Opposing Operator	† 357.	Nut, Lock
352.	Ring, Piston	† 358.	Pin
353.	Screw, Piston	359.	Sleeve, Neutral Adjusting
353A.	Gasket, Screw	368.	Screw, Stroke Adjusting
#354.	Cylinder, Adapter	369.	Guide, Spring
#354A.	Screw, Cyl. Adapter	†† 370.	Spring, Outer
#354B.	Gasket, Cyl. Adapter	371.	Spring, Middle
*355.	Shims, Control	372.	Spring, Inner
**356.	Spacer, One-way	373.	Screw, Lock
374.	Plug, Pipe	† 376.	Plate, Rotation (Adjust. Instrutions)
		† 376A.	Screw, Drive
TYPE "B" BLANK OPERATOR			
350.	Cover, Operator Flange		
350A.	Screw, Sock. Hd. Cap		
TYPE "L" HYDRAULIC, ADJUSTABLE OPERATOR			
350.	Housing, Hydraulic Operator		#Items numbered 354, 354A, 354B not used on some units.
350A.	Screw, Sock. Hd. Cap		*Item numbered 355 used on size 150 units only.
351.	Piston, Opposing Operator		†Items numbered 357, 358, 359, 364, 364A not used on non-adjustable controls.
352.	Ring, Piston		**Item numbered 356 used on one-way units only.
353.	Screw, Piston		†† Item numbered 370 not used on all sizes.
353A.	Gasket, Screw		
354.	Cylinder, Adapter		
354A.	Screw, Cyl. Adapter		
354B.	Gasket, Cyl. Adapter		
*355.	Shims, Control		
360.	Knob, Operator Adjusting		
361.	Handle, Adj. Knob		
362.	Screw, Adjusting		
363.	Pin, Taper		
364.	Gland, Adj. Screw		
364A.	Screw, Sock. Hd. Cap		
365.	Sleeve, Adj. Screw		
366.	Seal, O'ring		
367.	Seal, O'ring		

NOTE: When ordering replacement items, be sure to include Data Sheet (DS) number, item number and serial number of unit. When ordering O'rings, specify type of hydraulic fluid used.

O'RING SIZES

Cross Section x O.D. Duro ± 5

Item No.	Unit Size		
	2, 4, 8 & 12	20 & 35	60, and larger
366.	1/8 x 1-1/4 90	1/8 x 1-1/2 90	1/8 x 2-1/4 90
367.	3/32 x 15/16 90	1/8 x 1-1/4 90	1/8 x 1-3/4 90