



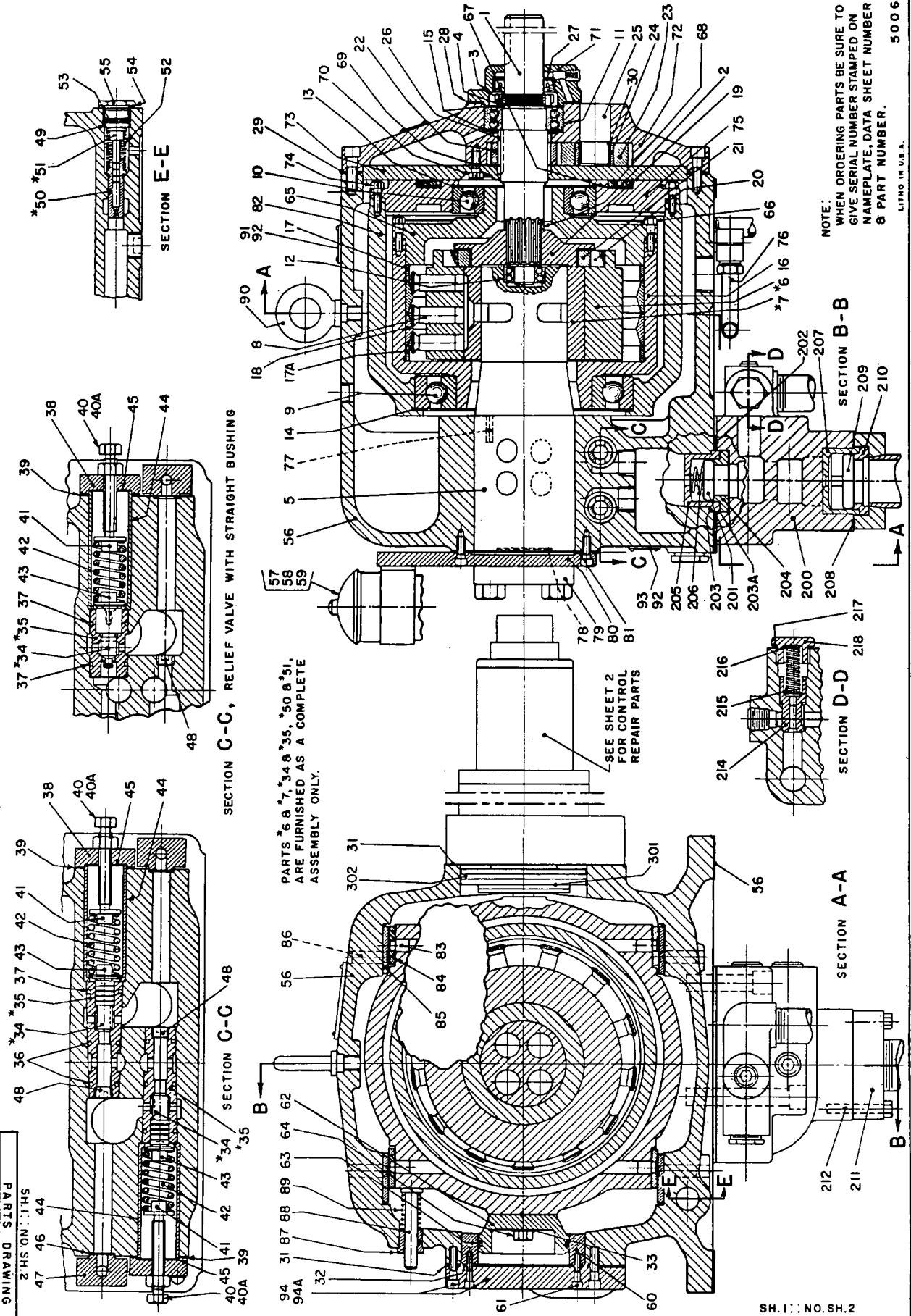
TYPE "DA" ONE WAY VARIABLE DELIVERY PUMPS WITH AIR OPERATED STRAIGHT LINE FOLLOW UP CONTROL

519005
OILGEAR TYPE "DA" PUMPS
PARTS DRAWING
SH. NO. 1 OF 2

ISSUED APR. 14, 1958

THE OILGEAR COMPANY
MILWAUKEE 4, WISCONSIN, U.S.A.

SH. NO. SH. 2
DS-947005



NOTE: WHEN ORDERING PARTS BE SURE TO GIVE SERIAL NUMBER STAMPED ON NAMEPLATE, DATA SHEET NUMBER & PART NUMBER.
LITHO IN U.S.A. 500615

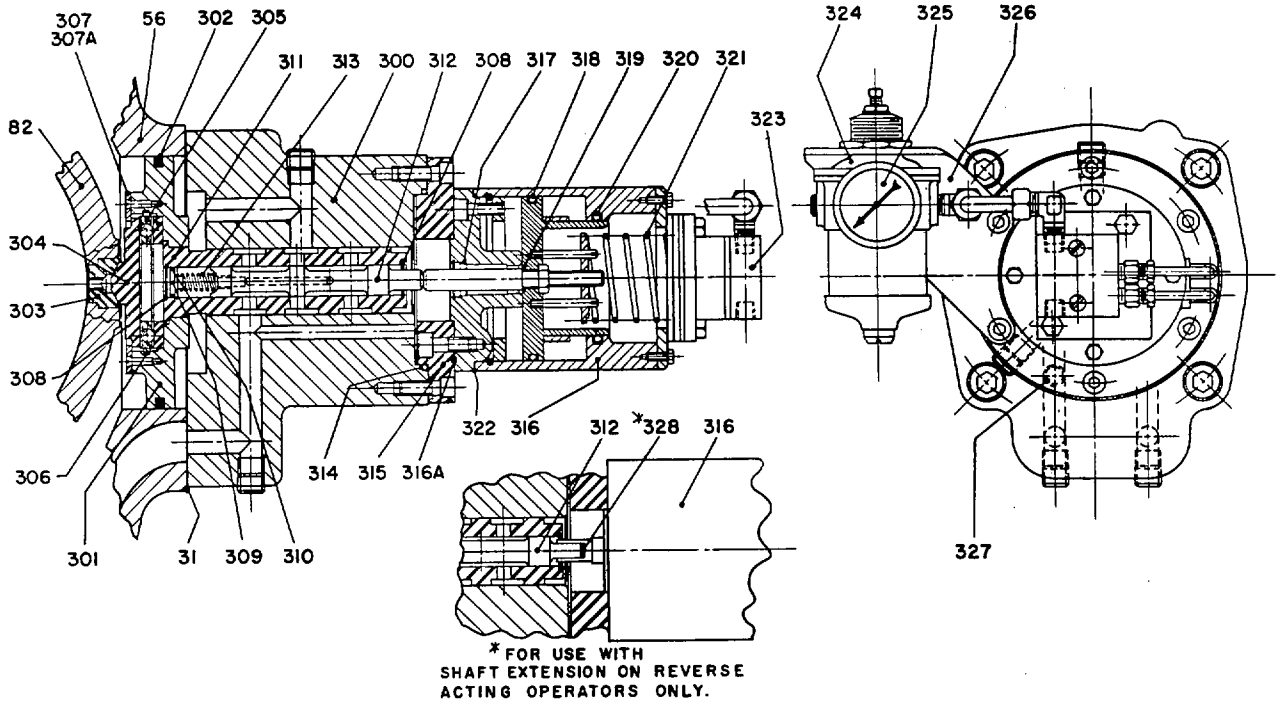


TYPE "DA" ONE WAY VARIABLE DELIVERY PUMPS
WITH AIR OPERATED STRAIGHT LINE FOLLOW UP CONTROL

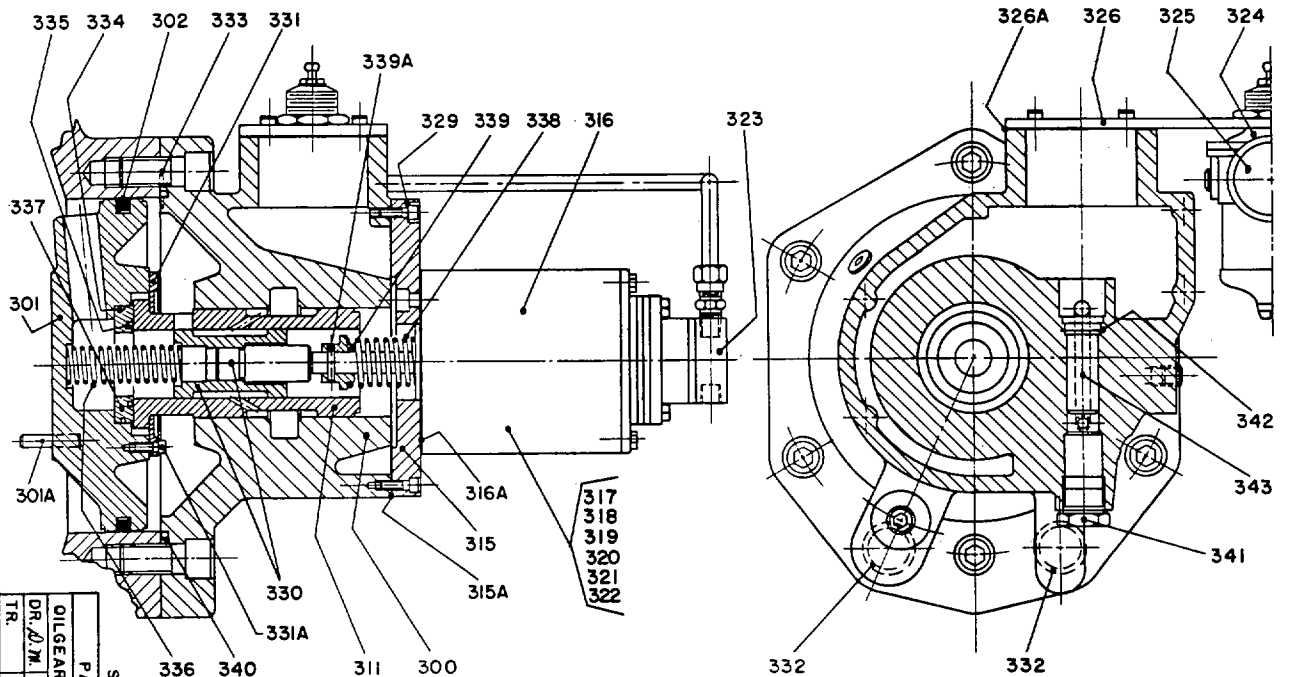
CONTROL PARTS DRAWING

500615

LITHO IN U.S.A.



FOR SIZES 4 - 8 - 12 - 20 & 35 PUMPS



FOR SIZES 60 - 100 & 150 PUMPS

RECORD

SH.2: NO.SH.2

TR.	DR. A. J. M. CH.	OILGEAR TYPE "DA" PUMPS	PARTS DRAWING	SH.2: NO.SH.2
APP. U.				
500615				

ISSUED APR. 14, 1958



THE OILGEAR COMPANY
MILWAUKEE 4, WISCONSIN, U.S.A.

DS-947005

PARTS LIST
OILGEAR TYPE "DA" PUMPS
(SIZES 2 TO 60)

PART NO.	DESCRIPTION	PART NO.	DESCRIPTION
1.	Shaft, Drive	58.	Valve, Flow Control
2.	Spacer, Coupling	59.	Gage, Filter
3.	Nut, Lock	60.	Adapter, Control Piston
4.	Washer, Lock	61.	Screw, Control Piston Adapter
5.	Pintle	62.	Piston, Control
*6.	Cylinder	63.	Ring, Piston
*7.	Bushing, Cylinder	64.	Screw, Control Piston
8.	Piston	65.	Head, Rotor
9.	Bearing, Rear Rotor	66.	Screw, Rotor Cover
10.	Bearing, Front Rotor	67.	Shims, Slideblock Cover
11.	Bearing, Front Dr. Shaft	68.	Ring, Slideblock Spacer
12.	Bearing, Rear Dr. Shaft	69.	Screw, G.P. Cover
13.	Shims, Front Rotor Bearing	70.	Gasket, G.P. Cover Screw
14.	Shims, Rear Rotor Bearing	71.	Housing, Shaft Seal
15.	Shims, Front Dr. Shaft Bearing	72.	Housing, Gear Pump
16.	Rotor	73.	Cover, G.P.
17.	Ring, Spacer	74.	Screw, Slideblock Cover
17A.	Ring, Spacer	75.	Head, Slideblock
18.	Ring, Thrust	76.	Tubing, G.P.
19.	Flange, Coupling	77.	Key, Pintle
20.	Roller, Coupling	78.	Gasket, Flange
21.	Ring, Coupling	79.	Flange, Pipe
22.	Gear, G.P. Driving	80.	Cover, Pintle End
23.	Gear, G.P. Driven	81.	Gasket, Pintle Cover
24.	Bearing, Roller	82.	Slideblock
25.	Shaft, Stub	83.	Dowel, Slideblock Liner
26.	Key, Drive Shaft	84.	Liner, Slideblock
27.	Seal, Dr. Shaft Oil	85.	Liner, Case
28.	Gasket, Front Cover	86.	Dowel, Case Liner
29.	Gasket, G.P. Housing	87.	Bushing, Indicator
30.	Spacer, Bearing	88.	Stem, Indicator
31.	Gasket, Control Cylinder	89.	Spring, Indicator
32.	Gasket, Control Cyl. Adapter	90.	Eye Bolt
33.	Gasket, Piston Screw	91.	Plate, Name
*34.	Plunger, H.P.R.V.	92.	Screw, Drive
*35.	Bushing, H.P.R.V.	93.	Plate, Name
36.	Packing, O'Ring	94.	Head, Control
37.	Packing, O'Ring	94A.	Screw, Control Head
38.	Cap, Relief Valve		
39.	Gasket, R. V. Cap		
40.	Screw, Adjusting		
40A.	Nut, Adj. Screw Lock	200.	Body, Suction Valve
41.	Guide, Spring	201.	Disc, Check Valve
42.	Spring, H.P.R.V.	202.	Gasket, H.P. Exhaust
43.	Guide, Spring	203.	Gasket, Cage Upper
44.	Retainer, Bushing	203A.	Gasket, Cage Lower
45.	Shims, Retainer	204.	Seat, Check Valve
46.	Gasket, Aux. Port	205.	Cage, Check Valve
47.	Cap, Aux. Port	206.	Spring, Check Valve Disc.
48.	Plug, Pipe	207.	Cage, Suction Flange
49.	Spacer, G.P.R.V.	208.	Gasket, Suction Flange
*50.	Plunger, Dashpot	209.	Disc, Suction Check Valve
*51.	Plunger, G.P.R.V.	210.	Seat, Suction Check Valve
52.	Spring, G.P.R.V.	211.	Flange, Suction
53.	Shims, G.P.R.V.	212.	Screw, Suction Flange
54.	Gasket, G.P.R.V. Cap	214.	Plunger, B.P.R.V.
55.	Cap, G.P.R.V.	215.	Spring, B.P.R.V.
56.	Case	216.	Shim, B.P.R.V.
56A.	Gasket, Reservoir	217.	Gasket, B.P.R.V. Cap
57.	Filter, Oil	218.	Cap, B.P.R.V.

O'RING SIZES
CROSS SECTION x O.D.

PART NO.	PUMP SIZE		
	4-8-12	20-35	60
	TAPERED R.V. BUSHING		
36.	3/32 x 7/8	1/8 x 1-1/2	1/8 x 1-3/4
37.	3/32 x 15/16	1/8 x 1-11/16	1/8 x 1-7/8
	STRAIGHT R.V. BUSHING		
37.	3/32 x 1-1/16	1/8 x 1-3/4	1/8 x 1-7/8

Part # 6 & 7, 34 & 35, 50 & 51 are furnished as a complete assembly. Specify Type of Fluid when ordering replacement O'Rings, & 70 DURO ± 5. When ordering replacement parts please include pump serial number and data sheet number.

PARTS LIST
OILGEAR "DA" CONTROL
(SIZES 4 TO 150)

PART NO.	DESCRIPTION	PART NO.	DESCRIPTION
300.	Housing, Control	321.	Spring, Operator
301.	Piston, Control	322.	Gasket, Operator Head
301A.	Pin, Control Piston	323.	Assembly, Positioner
302.	Ring, Piston	324.	Assembly, Filter & Regulator
303.	Cup, Thrust	325.	Gage, Pressure (0-100 psi)
304.	Plate, Thrust	326.	Plate, Mounting
305.	Bearing, Thrust	326A.	Gasket, Mounting Plate
306.	Ring, Retaining	327.	Packing, O'Ring
307.	Plate, Retaining	*328.	Shim, Plunger Extension
307A.	Screw, Retaining Plate	329.	Seal, Dyna
308.	Ring, Retaining	330.	Assembly, Pilot Plunger
309.	Guide, Spring	331.	Plate, Retainer
310.	Packing, O'Ring	331A.	Screw, Retainer Plate
311.	Bushing, Control	332.	Packing, O'Ring
312.	Plunger, Control	333.	Packing, O'Ring
313.	Spring, Control Plunger	334.	Packing, O'Ring
314.	Packing, O'Ring	335.	Packing, O'Ring
315.	Plate, Mounting	336.	Spring, Control Piston
315A.	Gasket, Mounting Plate	337.	Plate, Thrust
316.	Assembly, Control Operator	338.	Spring, Control Plunger
316A.	Gasket, Operator Assembly Mtg.	339.	Guide, Spring
317.	Packing, O'Ring	339A.	Pin, Spring Guide Lock
318.	Packing, O'Ring	340.	Packing, O'Ring
319.	Gasket, Piston Rod	341.	Plug, with O'Ring Parker
320.	Packing, O'Ring	342.	Ring Retaining
		343.	Plug, Core

* Part 328 applicable only when plunger extension is used. (Required for neutral setting)

When ordering replacement parts be sure to include serial number of pump and data sheet number.

When ordering replacement O'Rings specify type of Hydraulic Fluid. Part numbers 317, 318 and 320 (O'Rings) must be suitable for use with Silicone base lubricant.

O'RING SIZES

CROSS SECTION x O.D. x HARDNESS (± 5)

PART NO.	PUMP SIZE		
	4-8-12	20-35	60
310	3/32 x 3/4 70	3/32 x 3/4 70	
314	1/8 x 4-1/2 90	1/8 x 4-1/2 90	
327		1/16 x 1/2 70	
332			1/8 x 1-1/2 90
333			3/32 x 13/16 70
334			1/8 x 2-1/4 70
335			1/8 x 3-1/8 90
340			1/8 x 9-1/8 90