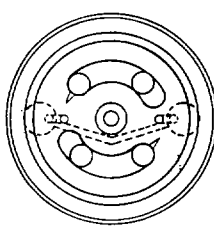
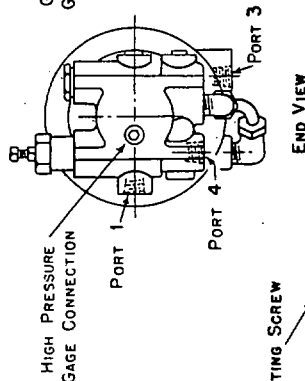
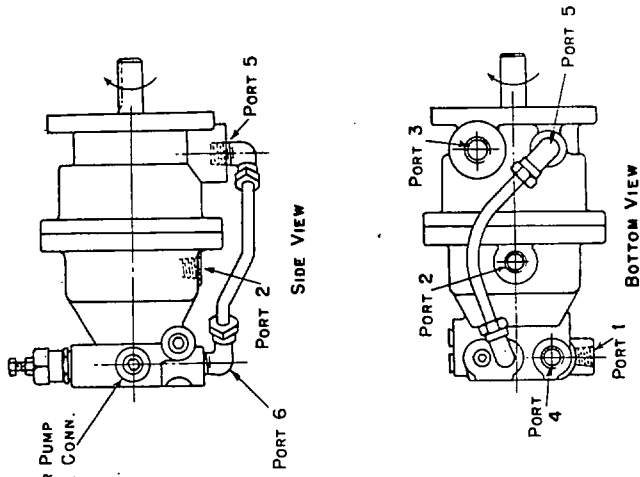


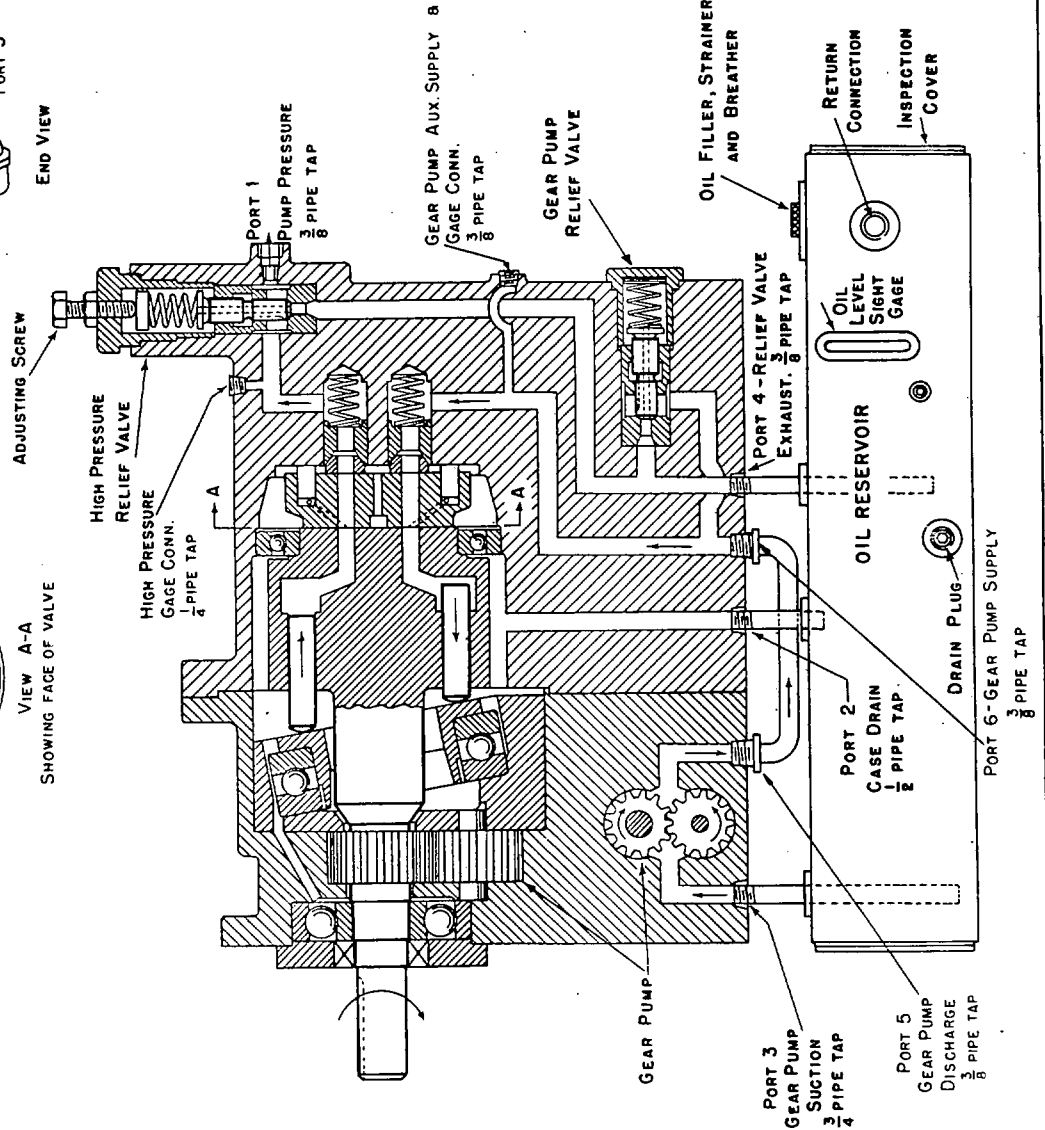
TYPE "HG" PUMPS



57144-A



VIEW A-A
SHOWING FACE OF VALVE



NOTE
ELECTRIC MOTOR ROTATION MUST BE COUNTER-CLOCKWISE FACING MOTOR SHAFT. WHEN ORDERING PUMP AND MOTOR UNIT SPECIFY TYPE OF MOTOR, H.P., SPEED, FRAME NUMBER AND CURRENT SPECIFICATIONS. PROVIDE OIL FILLER WITH STRAINER AND BREATHER, SIGHT GAGE FOR HIGH AND LOW OIL LEVELS, INSPECTION COVER AND SUITABLE DRAIN PLUGS IN RESERVOIR. CONNECT RELIEF VALVE EXHAUST AND RETURN LINE BELOW OIL LEVEL IN RESERVOIR. PARTS DRAWING DS-946600 INSTALLATION DRAWING DS-46600-A IF COOLER IS USED, CONNECT INLET TO PORT 5 AND OUTLET TO PORT 6.

DR. QM	CH. G.M.	APR 27 1951	OIL CIRCUIT TYPE "HG-850" PUMP
57144A			

REISSUED MAY 25, 1951

THE OILGEAR COMPANY
MILWAUKEE 4, WISCONSIN, U.S.A.

DS-946620-A