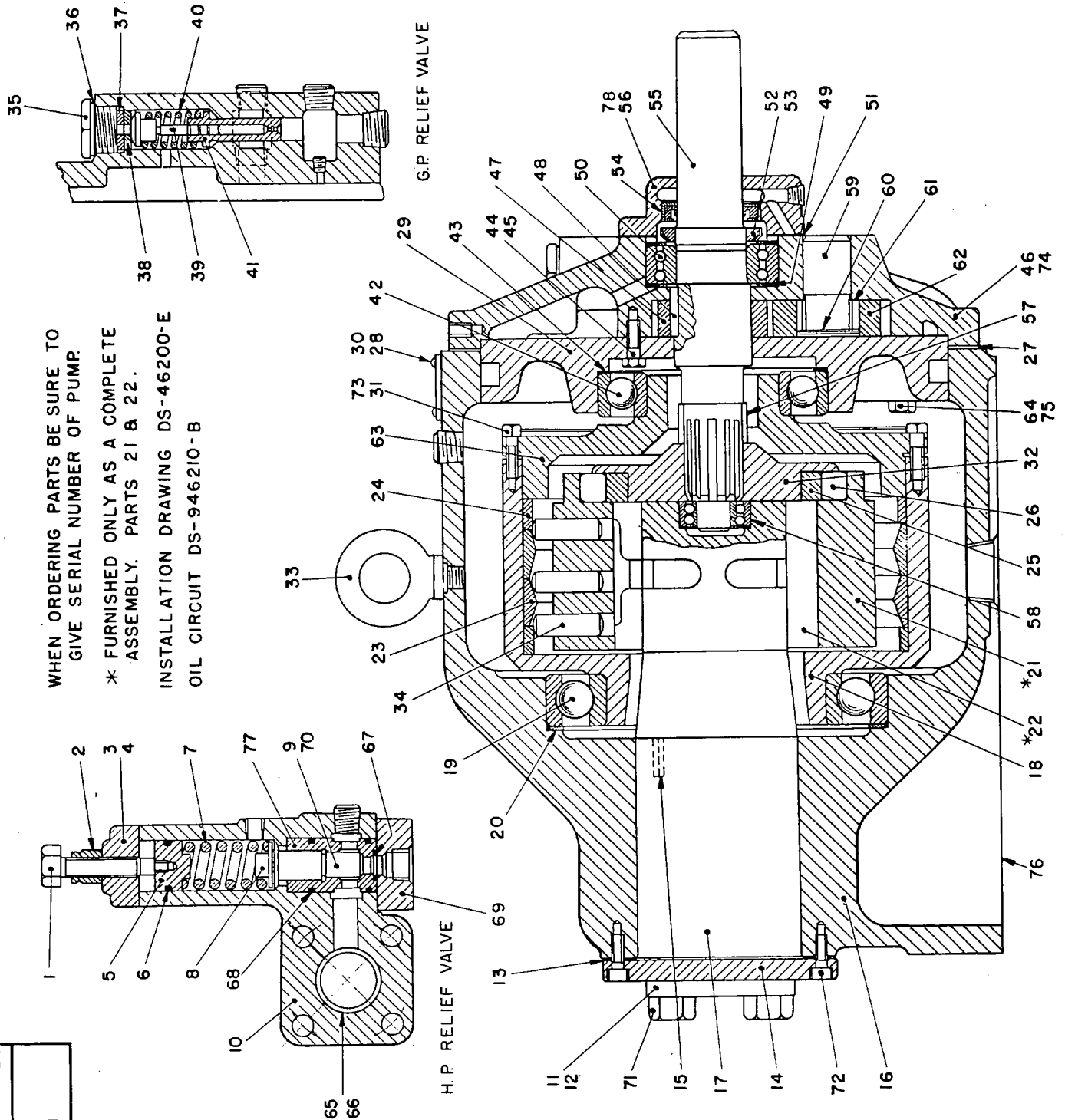


TYPE "CG" PUMP WITHOUT SUCTION VALVE



43461-D



WHEN ORDERING PARTS BE SURE TO
GIVE SERIAL NUMBER OF PUMP.
* FURNISHED ONLY AS A COMPLETE
ASSEMBLY. PARTS 21 & 22.
INSTALLATION DRAWING DS-46200-E
OIL CIRCUIT DS-946210-B

DR. J.F.	CH. J.F.	PARTS DRAWING TYPE "CG" PUMP
APP. e.w.		
43461-D		

RE ISSUED SEPT. 30, 1952

THE OILGEAR COMPANY
MILWAUKEE 4, WISCONSIN, U.S.A.

DS-946200-D

PARTS LIST
OILGEAR TYPE "CG" PUMP WITHOUT SUCTION VALVES
Parts Drawing 43461-C

- | | |
|---------------------------------------|---|
| 1. Screw, Adjusting, H.P.R.V. | 40. Spring, Gear Pump Relief Valve |
| 2. Nut, Locking | 41. Plunger, Gear Pump Relief Valve |
| 3. Cap, High Pressure Relief Valve | 42. Bearing, Ball |
| 4. Screw, H.P.R.V. Cap | 43. Shim, Front Rotor Bearing |
| 5. Guide, H.P.R.V. Spring | 44. Screw, Gear Pump Cover |
| 6. Packing, "O" Ring | 45. Gasket, Gear Pump Screw |
| 7. Spring, High Pressure Relief Valve | 46. Housing, Gear Pump |
| 8. Guide, H.P.R.V. Spring | 47. Gear, Driver |
| 9. Plunger, H.P.R.V. (Solid) | 48. Key, Driver Gear |
| 10. Body, High Pressure Relief Valve | 49. Shim, Shaft Bearing |
| 11. Flange, Pipe Connection | 50. Bearing, Ball |
| 12. Gasket, Flange | 51. Gasket, Shaft Seal Housing |
| 13. Gasket, Rear Cover | 52. Nut, Bearing Lock |
| 14. Cover, Rear | 53. Washer, Bearing Lock |
| 15. Key, Pintle | 54. Seal, Shaft |
| 16. Case, Pump | 55. Shaft, Drive |
| 17. Pintle, Pump | 56. Housing, Shaft Seal |
| 18. Rotor, Pump | 57. Spacer, Coupling |
| 19. Bearing, Ball | 58. Bearing, Shaft |
| 20. Shim, Rear Rotor Bearing | 59. Shaft, Stub |
| 21. Cylinder, Pump | 60. Washer, Spacer |
| 22. Bushing, Cylinder | 61. Bearing, Gear Pump Gear |
| 23. Ring, Thrust | 62. Gear, Driven |
| 24. Spacers | 63. Head, Rotor |
| 25. Ring, Coupling | 64. Screw, Gear Pump Cover |
| 26. Roller | 65. Gasket |
| 27. Gasket, Gear Pump Housing | 66. Spacer |
| 28. Nameplate | 67. Packing, "O" Ring |
| 29. Cover, Gear Pump | 68. Gasket, "O" Ring |
| 30. Screw, Drive | 69. Flange, Pipe Connection |
| 31. Screw, Rotor Head | 70. Plunger, H.P.R.V. (Hollow) |
| 32. Flange, Coupling | 71. Bolt, Flange |
| 33. Eyebolt | 72. Screw, Rear Cover |
| 34. Piston, Pump | 73. Wire, Locking |
| 35. Cap, Gear Pump Relief Valve | 74. Screw, Gear Pump Housing |
| 36. Gasket, G.P.R.V. Cap | 75. Gasket, Gear Pump Cover Screw |
| 37. Shim, G.P.R.V. | 76. Gasket, Oilpot |
| 38. Ring, Spacer | 77. Bushing, High Pressure Relief Valve |
| 39. Plunger, Dashpot, G.P.R.V. | 78. Screw, Cap, Socket Head |