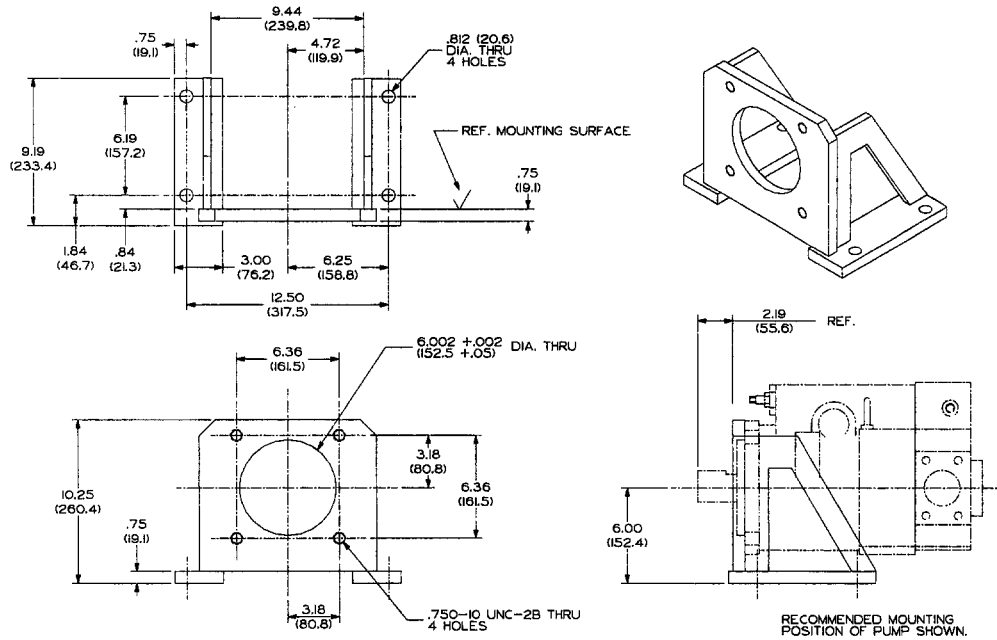


Installation Drawing

Mounting Brackets

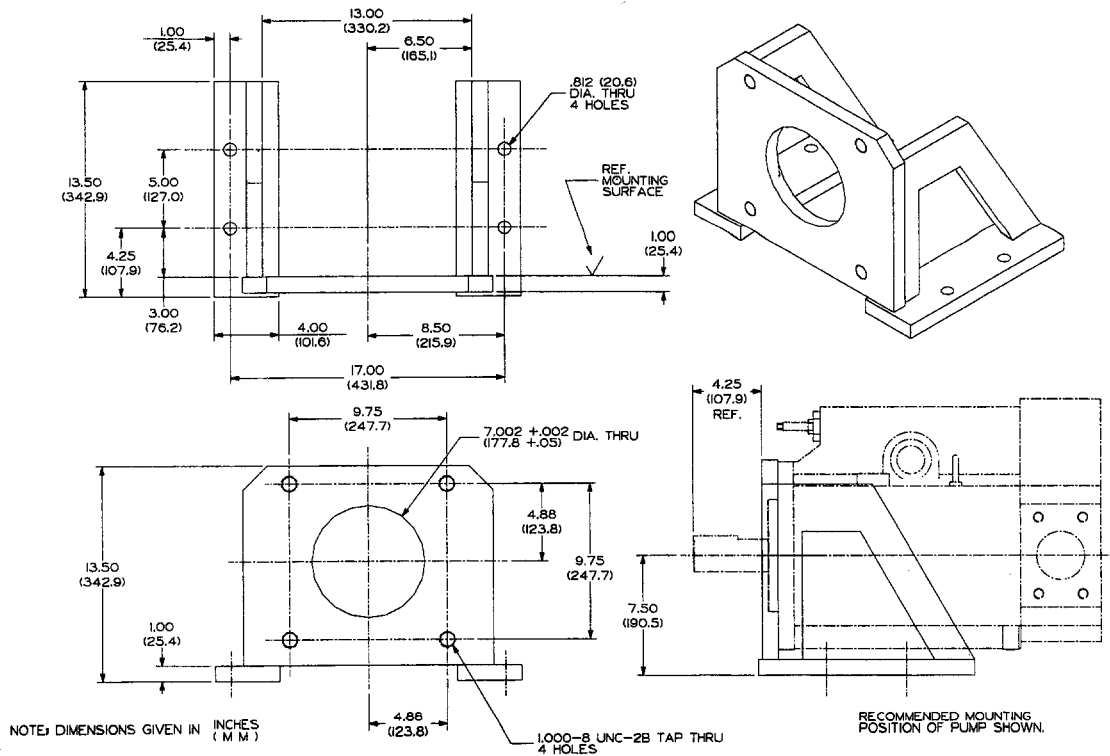
**FOR PFK & PVK 140 PUMPS**

( SAE "D" 4 BOLT PUMP MTG BRACKET )



**FOR PFK & PVK, 270 & 370 PUMPS**

( SAE "F" 4 BOLT PUMP MTG BRACKET )



NOTE: DIMENSIONS GIVEN IN INCHES ( M M )

RECOMMENDED MOUNTING POSITION OF PUMP SHOWN.

515618-014