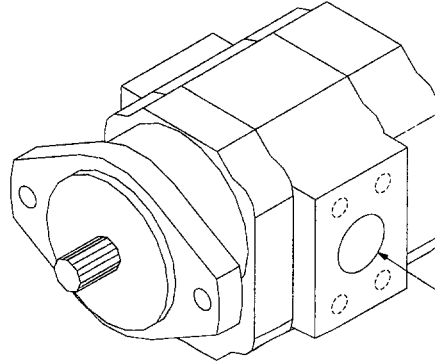
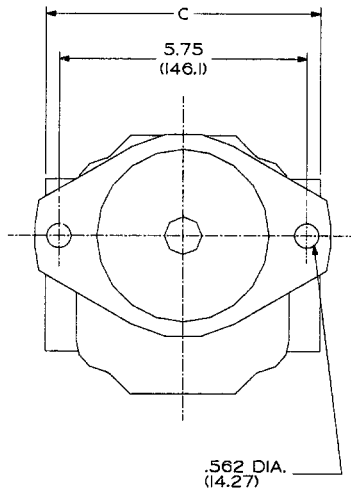


## PVK 140, 270/370

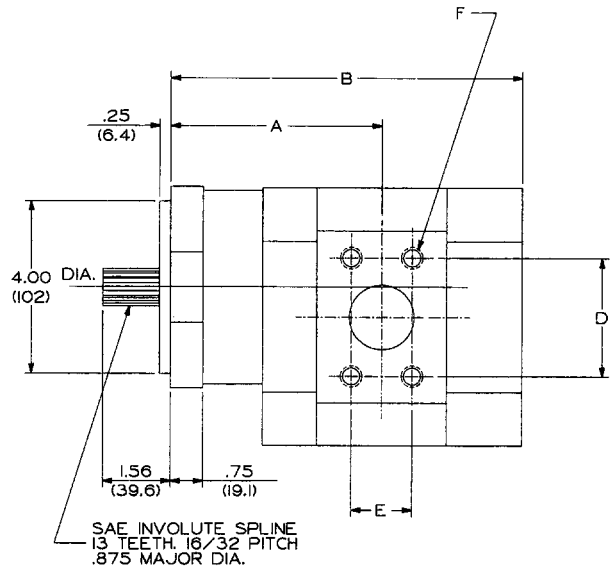
### Installation Drawing Gear Pump



INLET PORT WITH LEFT HAND (CCW) ROTATION  
OUTLET PORT WITH RIGHT HAND (CW) ROTATION



( SAE "B" 2 BOLT PUMP MTG )



PUMP	DISPLACEMENT	A	B	C	D	E	F	INLET & OUTLET SAE FLANGE PATTERN PORTS	WT.
PVK 140/31	3.14 <sup>CUIN.</sup> PER REV.	4.38	7.12	5.75	2.062	1.031	.375-16	1,000 CODE 6I (3000)	42 LBS.
	51.45 <sup>CC/REV.</sup>	111.3	180.8	146.1	52.37	26.18			19.1 KG
PVK 270/51	5.59 <sup>CUIN.</sup> PER REV.	4.88	8.12	6.56	2.750	1.406	.500-13	1,500 CODE 6I (3000)	52 LBS.
	91.60 <sup>CC/REV.</sup>	123.9	206.2	166.6	69.85	35.71			23.6 KG

NUMERICAL DIMENSION GIVEN IN INCHES ( M M )