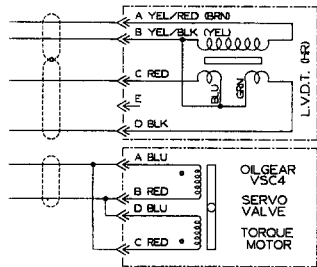
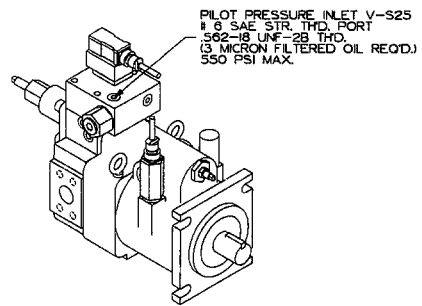
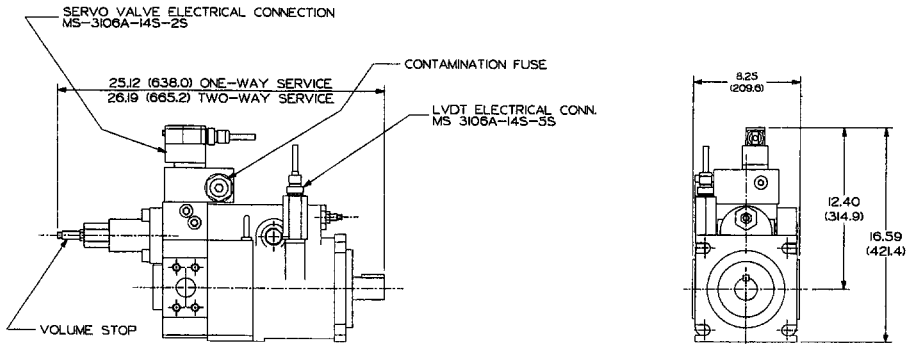


# PVK 140, 270/370



### Installation Drawing Servo Valve Control

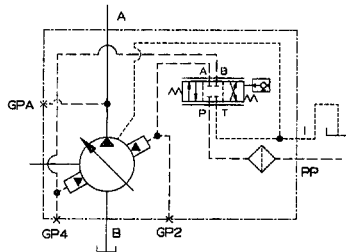
OILGEAR PVK 140-AIU PUMP WITH V-S CONTROL



ELECTRICAL CIRCUIT

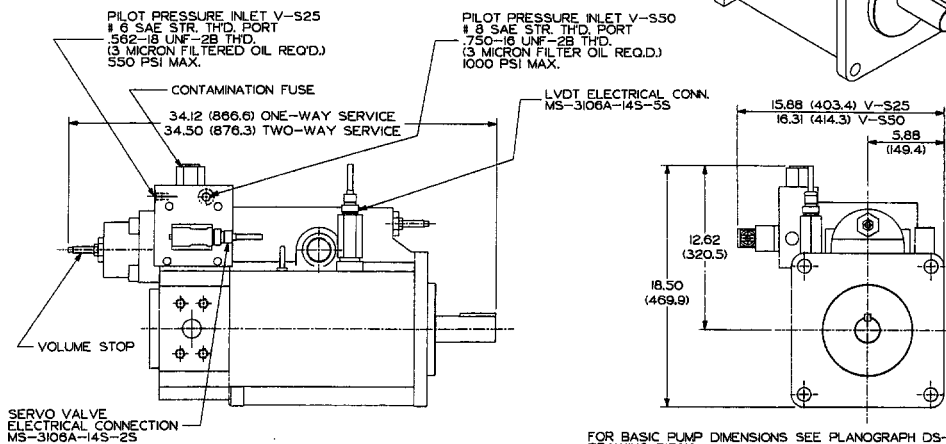
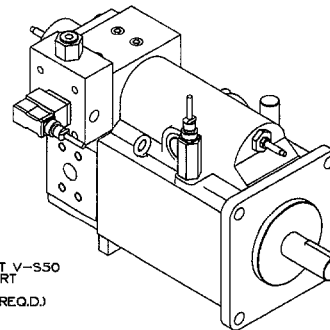
REFER TO SPECIFICATIONS DOCUMENT E807 FOR SERVO COMMAND SIGNAL INFORMATION.

FOR BASIC PUMP DIMENSIONS SEE PLANOGRAPH DS-47926A SH 1 OF 2 DRAWING 515618-001



HYDRAULIC CIRCUIT ONE-WAY SERVICE SHOWN

OILGEAR PVK 270-BIU/370-BIU PUMP WITH V-S CONTROL



FOR BASIC PUMP DIMENSIONS SEE PLANOGRAPH DS-47926A SH 2 OF 2 DRAWING 515618-002

515618-006