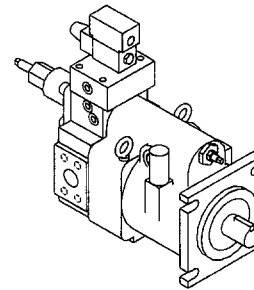
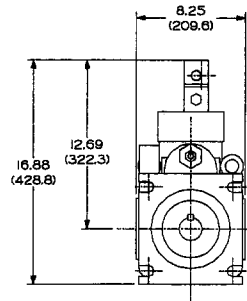
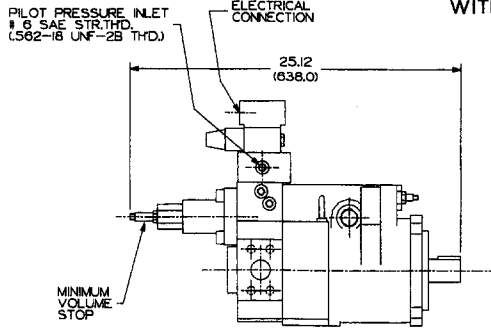


PVK 140, 270/370

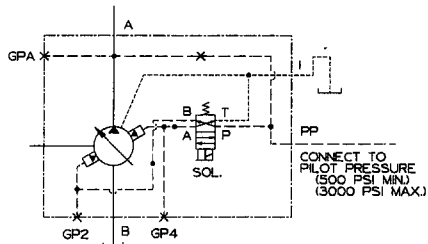


Installation Drawing Solenoid Operated Dual Volume Control

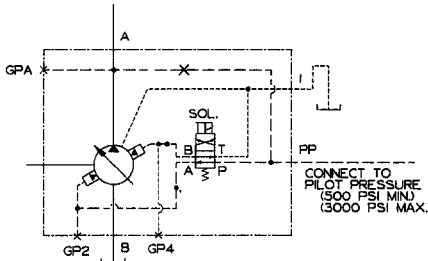
OILGEAR PVK 140-AIU PUMP WITH R-U CONTROL



FOR BASIC PUMP DIMENSIONS SEE PLANOGRAPH DS-47926A SH 1 OF 2 DRAWING 515618-001



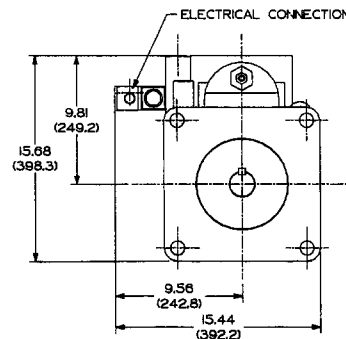
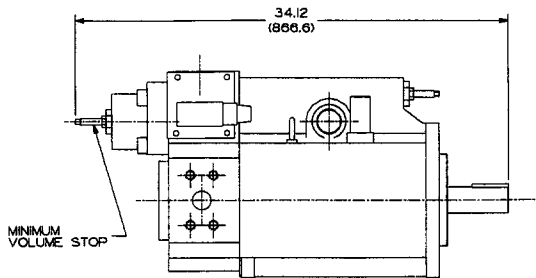
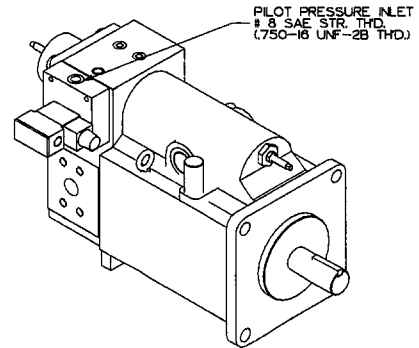
PVK 140 HYDRAULIC CIRCUIT



PVK 270/370 HYDRAULIC CIRCUIT

PVK 140, 270/370 PUMPS WILL STROKE TO MINIMUM VOLUME SETTING WHEN SOLENOID IS DE-ENERGIZED.

OILGEAR PVK 270-BIU/370-BIU PUMP WITH R-U CONTROL



FOR BASIC PUMP DIMENSIONS SEE PLANOGRAPH DS-47926A SH 2 OF 2 DRAWING 515618-002

800 515618-008