

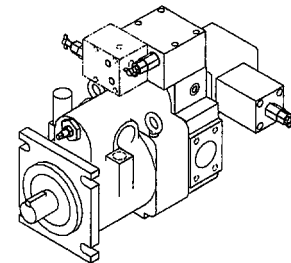
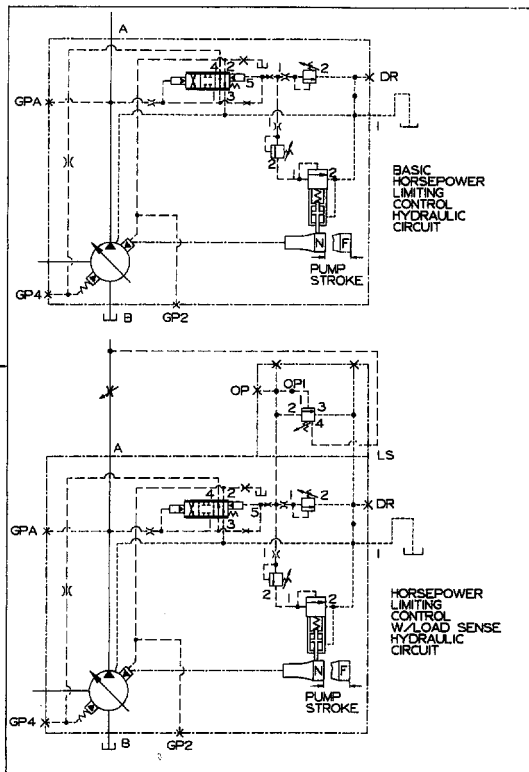
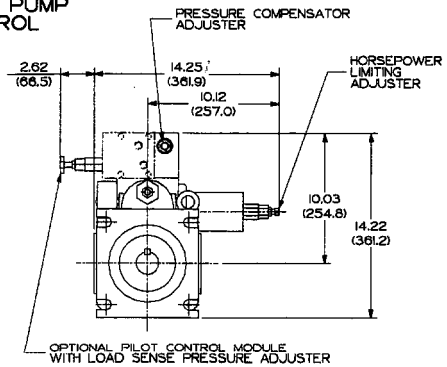
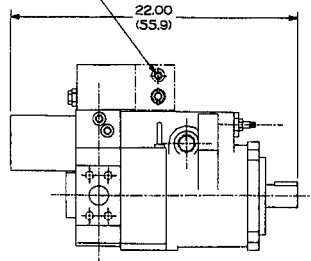
PVK 140, 270/370



Installation Drawing Horsepower Limiting Control

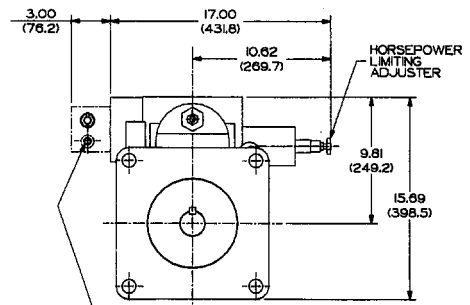
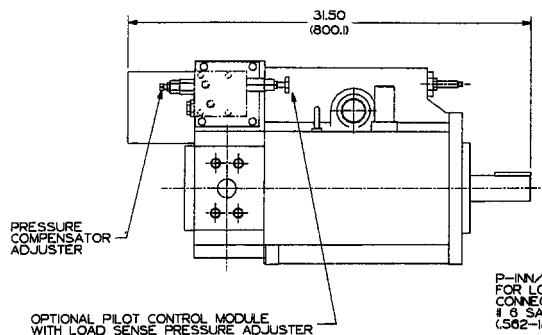
P-INN/G
FOR LOAD SENSE OPTION
CONNECT LOAD TO PORT LS
8 SAE STRAIGHT THD.
(S62-18 UNF-2B THD.)

OILGEAR PVK 140-AIU PUMP WITH P-INN/H CONTROL



FOR BASIC PUMP DIMENSIONS SEE PLANOGRAPH DH-47926A SH 1 OF 2
DRAWING 515618-001

OILGEAR PVK 270-BIU/370-BIU PUMP WITH P-INN/H CONTROL



P-INN/G
FOR LOAD SENSE OPTION
CONNECT LOAD TO PORT LS
8 SAE STRAIGHT THD.
(S62-18 UNF-2B THD.)

FOR BASIC PUMP DIMENSIONS SEE PLANOGRAPH DS-47926A SH 2 OF 2
DRAWING 515618-002